

hwam

intelligent heat

Since 1973



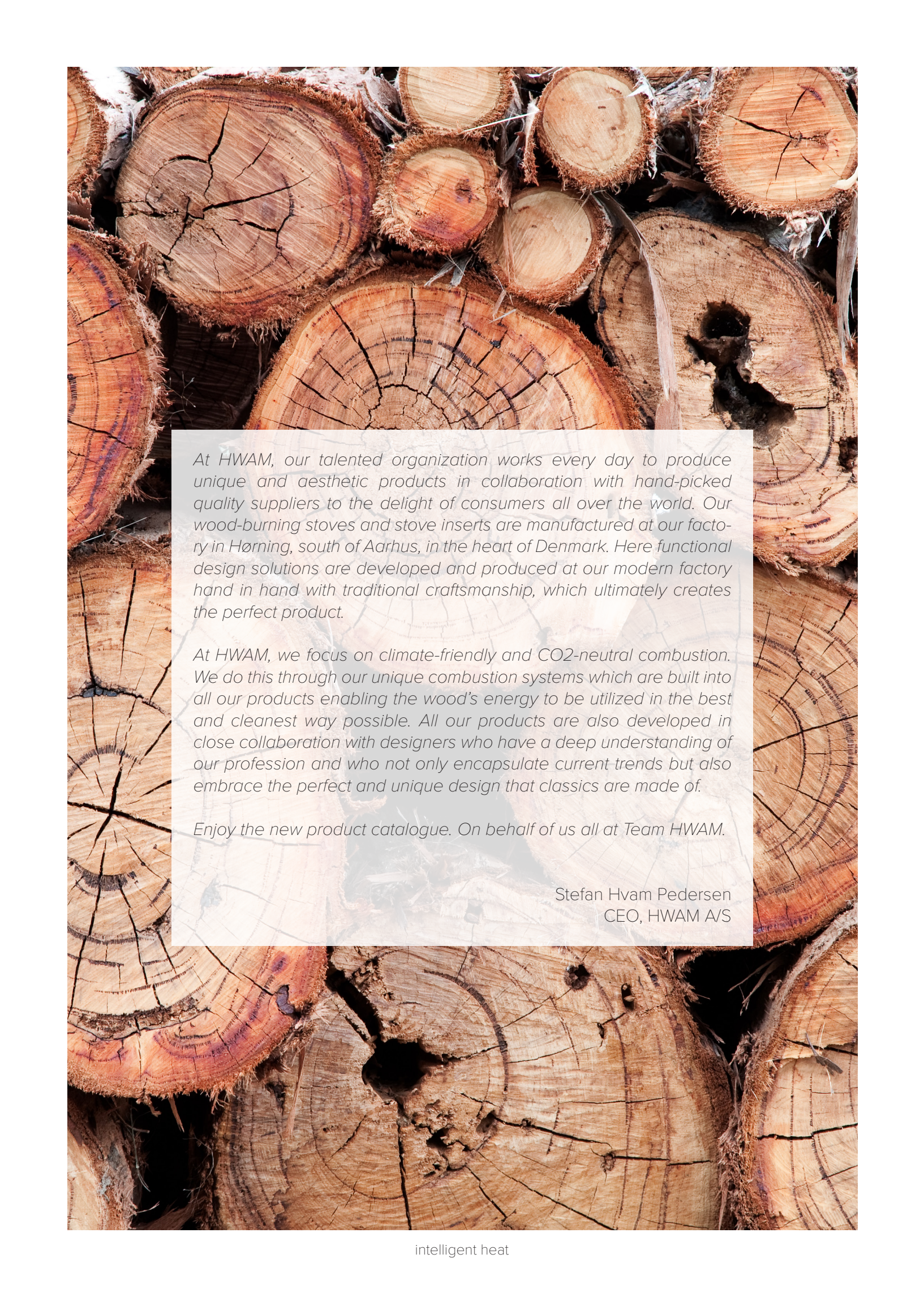
HWAM 4520c

29-1598 UK

WINNER OF

DI PRISEN 2016

COLLECTION 2019/2020



At HWAM, our talented organization works every day to produce unique and aesthetic products in collaboration with hand-picked quality suppliers to the delight of consumers all over the world. Our wood-burning stoves and stove inserts are manufactured at our factory in Hørning, south of Aarhus, in the heart of Denmark. Here functional design solutions are developed and produced at our modern factory hand in hand with traditional craftsmanship, which ultimately creates the perfect product.

At HWAM, we focus on climate-friendly and CO2-neutral combustion. We do this through our unique combustion systems which are built into all our products enabling the wood's energy to be utilized in the best and cleanest way possible. All our products are also developed in close collaboration with designers who have a deep understanding of our profession and who not only encapsulate current trends but also embrace the perfect and unique design that classics are made of.

Enjoy the new product catalogue. On behalf of us all at Team HWAM.

Stefan Hvam Pedersen
CEO, HWAM A/S

CONTENTS

- 5 Why choose HWAM
- 6 Protect the environment
- 8 HWAM® SmartControl™
- 10 FAQ what to consider before choosing a wood-burning stove
- 12 Heat storage
- 14 Design your own HWAM wood-burning stove
- 16 Meet our designers
- 18 A HWAM wood-burning stove is born

INSPIRATION

- 22 HWAM I 40/55
- 24 HWAM 2600
- 26 HWAM 3100
- 28 HWAM 3500
- 30 HWAM 3600
- 32 HWAM 4500
- 34 HWAM 4600
- 36 HWAM 7150
- 38 HWAM Classic 4 + HWAM Classic 7H
- 40 HWAM I 30/55 + HWAM I 30/65

TECHNICAL SPECIFICATIONS

- 44 HWAM 2600
- 46 HWAM 3100
- 48 HWAM 3500
- 50 HWAM 3600
- 53 HWAM 4500
- 56 HWAM 4600
- 58 HWAM 7150
- 59 HWAM Classic 4
- 60 HWAM Classic 7H
- 61 HWAM I 30/55
- 62 HWAM I 30/65
- 63 HWAM I 40/55
- 64 Product overview
- 66 Distance to combustible materials
- 67 Approvals & registrations
- 68 Test results



HWAM 3120m



Effortless combustion optimisation thanks to HWAM® SmartControl™



Efficient combustion and easy operation thanks to HWAM® Autopilot™



Danish design



Manufactured in Denmark for more than 40 years



HWAM's unique airwash system ensures correct air circulation and keeps the glass clean



Convenience and ease of operation thanks to HWAM® SmartControl™ or HWAM® Autopilot™



A unique closing mechanism seals the door tightly for optimum combustion



Optional fresh air kit to connect to external air



Convection distributes the heat in the room



Heat storage helps prolong the warmth in your room even after the fire has gone out



WHY CHOOSE HWAM?

Design, functionality and sustainability are key factors in our philosophy. Based on these values, we have developed the mechanical **HWAM® Autopilot™**, an intelligent way to control the supply of air to the wood-burning stove, as well as the electronic **HWAM® SmartControl™**, which regulates the supply of air and optimises the combustion. You can read more about this from page 6-9 or on our website, www.hwam.com.

Most wood-burning stoves probably look more or less the same to you. So, why choose a HWAM? HWAM has designed and produced wood-burning stoves in Denmark for more than 40 years. It has been an exciting and insightful journey and we have learnt so much from listening to our customers and partners. We test our wood-burning stoves thoroughly and we always give high priority to design, functionality and quality.

When you choose a HWAM wood-burning stove you can design it to your taste and needs. On page 14 you can learn more about the various options and get some inspiration. No matter which model you end up with we promise you to deliver a Danish-produced wood-burning stove of the highest quality. As all of our stoves are produced at our factory in Denmark we control the entire process from the very first design drawing till the stove is ready to leave the factory.



PROTECT THE ENVIRONMENT

WE DO...

“We constantly strive to make our wood-burning stoves and stove inserts more efficient and environmentally friendly. Therefore, our products are regularly put through a series of comprehensive tests to determine how they perform in different situations and at different temperatures and combustion rates. We do this to ensure that the wood-burning stoves and the stove inserts comply with both our own and the authorities’ stringent environmental requirements in every conceivable situation. We do this to ensure the best possible experience for the user and to protect the environment.”



Nature needs protecting - now more than ever. You can make a big difference and leave a greener footprint for the enjoyment of future generations by introducing small changes in your life. Start by choosing a HWAM wood-burning stove.

All HWAM wood-burning stoves are equipped with **HWAM® Autopilot™** as standard to help you achieve good combustion. As the temperature rises and falls in the combustion chamber, a bimetallic spring will expand and contract, and regulate the air supply. When the fire is dying out, the damper will automatically open again, and you can add firewood or let the fire die out. If you prefer an electronic solution where an app reminds you when to add more firewood, then you should choose a wood-burning stove with **HWAM® SmartControl™**, an electronic system developed in collaboration with DTU (Technical University of Denmark) to help achieve the cleanest possible combustion.

Three essential elements are required to start a fire: the right amount of wood, heat and oxygen. To achieve the cleanest possible combustion, you need an accurate combination of these elements. It is essential that the temperature reaches **750°** Celsius as soon as possible, thereby reducing the risk of gas and particle emissions. This level is virtually impossible to achieve manually. A wood-burning stove with **HWAM® SmartControl™** will ensure that you achieve the optimum combination and thus very clean combustion.

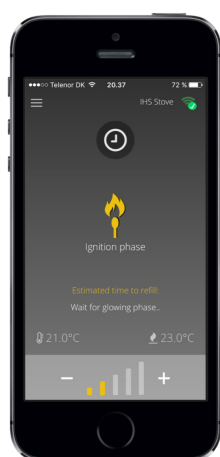


3 SIMPLE STEPS

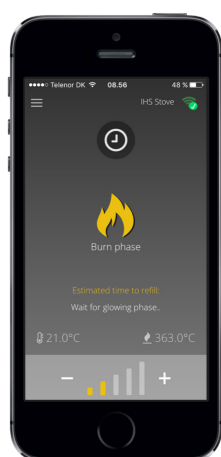
TO CLEAN COMBUSTION & MORE QUALITY TIME WITH THE FAMILY

You practically only have to lift a finger, the **HWAM® SmartControl™** will do the rest.

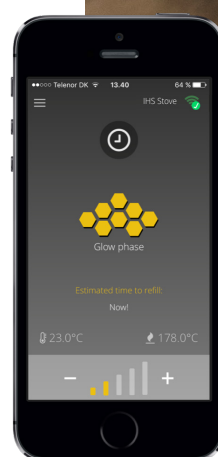
Are you tired of spending a lot of time and energy on trying to achieve clean combustion? With **HWAM® SmartControl™** you will achieve this in 3 simple steps. Leaving you time for the really important things in life. Read more and watch our videos on www.hwam.com or visit your local HWAM retailer.



Light the fire as usual



Set the desired room temperature on the app



Receive a notification when it is time to restoke



SAVE UP TO
50%
 ON YOUR FIREWOOD
 CONSUMPTION*

PROTECT THE

 ENVIRONMENT

CLEANER

 COMBUSTION*

ENJOY THE

 COMFORT



FIREWOOD CONSUMPTION
 WITHOUT
 HWAM® SmartControl™



FIREWOOD CONSUMPTION*
 WITH
 HWAM® SmartControl™



WINNER OF
 PRISEN 2016

* Compared to a HWAM wood-burning stove without HWAM® SmartControl™

FAQ

WHAT TO CONSIDER BEFORE CHOOSING A WOOD-BURNING STOVE

Taste and style vary from person to person, so here we will let you be the expert. However, before you buy a wood-burning stove, there are a few things worth considering.

Why do you want a wood-burning stove?

Is it because you live in a cold house? Do you want to save money on the heating bill, or is it for the sake of the cosy atmosphere?

How many m² are to be heated?

It is important that the heat emitted by the wood-burning stove is adequate for the m² to be warmed up. As a rule of thumb, you can assume that approximately 1 kW is required to heat 20 m², provided the house is reasonably well insulated.

How easy should it be?

All HWAM stoves are equipped with HWAM® Autopilot™ as standard, an automatic air control that ensures good combustion. If you would like it as easy as it comes, then choose a model with built-in HWAM® SmartControl™. The only thing you need to do is light the fire as usual, set the temperature via an app on your smartphone and then enjoy the heat and the dancing flames. You will receive a message through your app when it is time to add new firewood.

Requirements for the location?

Are there any special constructions in your home that render installation of the wood-burning stove impossible in certain areas? Is there anything you should be aware of in relation to combustible material?

Requirements for new houses?

If you live in a newly built house, you may need to install a fresh air system in your wood-burning stove, as newly built houses are very well insulated, and the air circulating in the house is often reused in the ventilation system. This means that there will not be enough air in the house for neither lighting up nor combustion.

Requirements for chimney & smoke pipe

The chimney must be of a sufficient height to enable an adequate draft and to prevent smoke problems. The stove requires a draft of at least 12 Pa. The chimney must have a minimum opening equivalent to Ø 15 cm. The chimney opening should always be at least the size of the outlet socket of the stove. The chimney must have an easily accessible soot door. Smoke pipe and chimney must always be suitable for a stove connection. Ask your HWAM dealer for more information.

Requirements for floors and/or walls

You should check whether the floor on which your wood-burning stove will be standing is stable enough to carry the weight, or whether the wall which your stove or insert will hang on/be built into is able to withstand weight. We recommend that you consult a specialist. If the wood-burning stove is placed on a flammable floor, make sure to protect the floor from embers falling out. You can choose tiles, sheet metal or a glass plate depending on what style you prefer. See more about distances to combustible material on page 66.

Talk to an expert

Once you have considered some of these questions, it will hopefully be easier for you to make a decision. If you are still in doubt, you can always visit your local HWAM retailer for a talk about the right choice for you.





HWAM 4660C

HEAT STORAGE & STONE CLADDING

When you choose a wood-burning stove with stone cladding, you get a stove with a unique appearance, since every stone has its own distinctive feature. Besides, there are other tangible benefits.

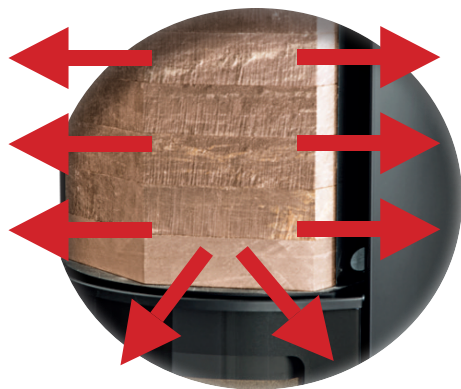
We know of heat storage from masonry stoves, where the heat is stored in the stones surrounding the combustion chamber. Heat storage in a wood-burning stove is the stove's ability to quickly and comfortably distribute the convection heat in the room combined with the masonry stove's capacity for heat storage.

Selected HWAM models are designed with a heat storage compartment that can be filled with stones with a special capacity for storing the heat from the wood-burning stove and then slowly give it off to the room. This means that you can enjoy the heat long after the fire has gone out.

If you want a wood-burning stove that stores the heat, you can choose one of the following HWAM models with stone cladding: 3520, 3530, 3640, 3660, 4540, 4560, 4640 and 4660.

If you would like a stove with a heat storage compartment, you can choose between these HWAM models: 3130, 3520, 3530, 3650, 3660, 4550, 4560, 4660 and 7150.

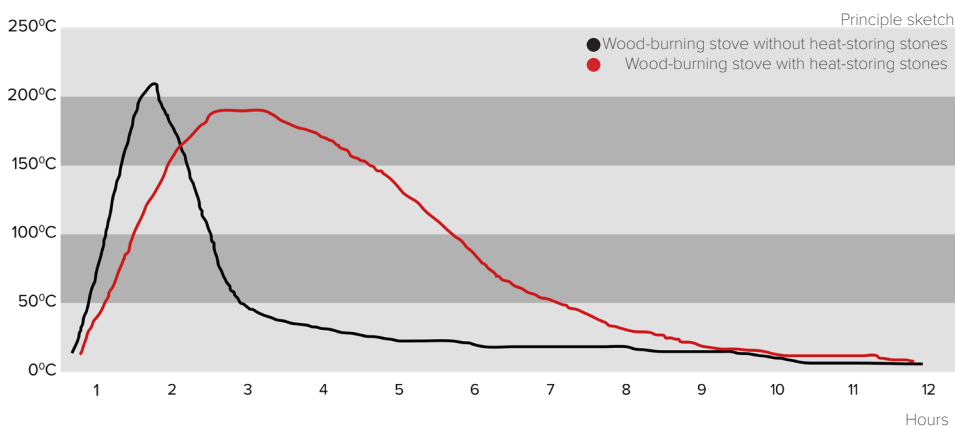
Below is an illustration of a wood-burning stove with and without heat-storing stones.



Heat-storing stones



HWAM 4660m





HWAM 3120c

Height

70 cm - 153 cm.

Flue outlet

Top or back.

Type

Wall mounted, pedestal, floor model, plinth, insert.

Door

Most models are available with two types of doors, a classic cast iron door (c) or a modern glass door (m). Our inserts are available in a variety of models with a lift-up door, left or right hinged door.

Colours

Our m models (glass door) are available in black, grey and white.
Our c models (cast iron door) are available in black and grey.
Our models with stone cladding are available in black and grey.



DESIGN YOUR OWN HWAM WOOD-BURNING STOVE

Once you have decided which model best suits your needs, it is time to choose the perfect look. There are many ways to tailor your stove to exactly fit your style and home. What do you prefer? A classic look? A raw look? Or a modern look?

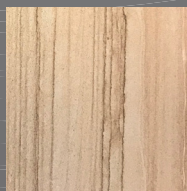
Under our technical specifications from page 43, you can see all our models. Take a look at the possibilities and find inspiration on how to put together your very own HWAM model.

Stone cladding

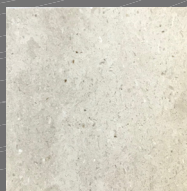
A wood-burning stove with stone cladding has two functions. Visually, the stone creates a unique appearance, with no piece of stone being the same. Purely functionally, the heat-storing capacity of the stone extends the heat effect.



Soapstone



Tobacco



San Sebastian



Rosewood



Nox Petra

Function

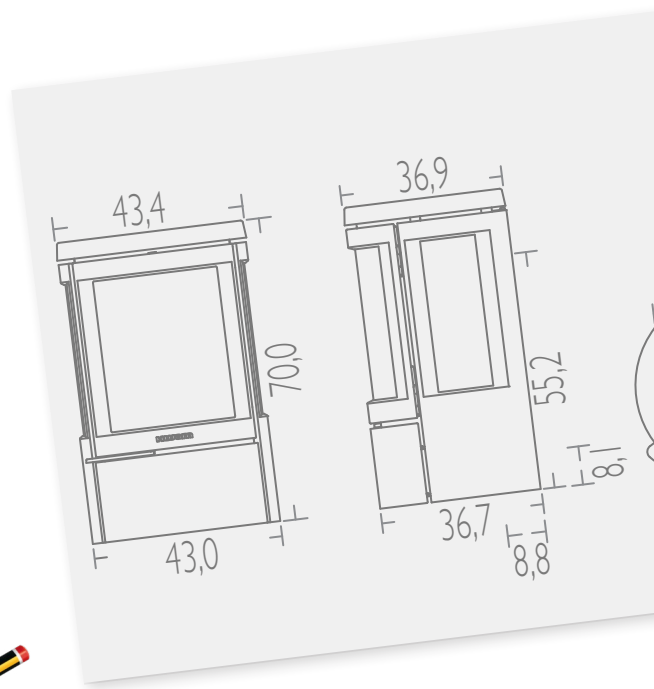
All HWAM wood-burning stoves are equipped with HWAM® Autopilot™ as standard to help you achieve good combustion. As the temperature rises and falls in the combustion chamber, a bimetallic spring will expand and contract, thereby regulating the supply of air. When the fire is dying out, the damper will automatically open again, and you can add firewood or let the fire die out.

Would you like it as easy as it comes? Then you should choose a model with built-in HWAM® SmartControl™. HWAM® SmartControl™ is electronic control of the air for optimum combustion. The only thing you need to do is light the fire as usual, set the temperature via an app on your smartphone and enjoy the heat and the dancing flames. You will receive a message through the app when it is time to add more firewood.

MEET OUR DESIGNERS

When design meets function something unique is created. It is difficult to describe in words. It must be seen, touched and experienced. HWAM has a long tradition of working together with talented Danish designers. The combination of their sense of aesthetics and detail and the know-how of our experts results in functional handcraft.

The development of a HWAM wood-burning stove always starts with the design, after which the construction process begins.



Strand + Hvass



The designer team Strand + Hvass consists of Christina Strand and Niels Hvass, who specialise in industrial furniture design. Their style is classic Danish: minimalistic lines and functional forms. They strive to create aesthetic synergy between form and material.

Strand + Hvass have won several design awards, including one for the design of a chair for the Danish crown prince.

Sørig & Jacobsen



The designer team Sørig & Jacobsen consists of Henrik Sørig and Tobias Jacobsen.

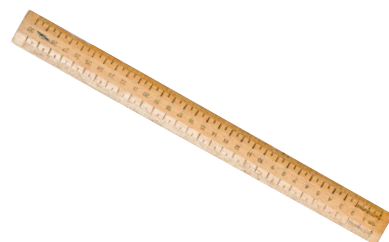
Their design tells a story and plays on the harmony between function, form and technique. They have a keen eye for details and work with simplicity of appearance and design. Good design is when the stove matches the user's needs perfectly.

Anders C. FASTERHOLDT



Anders C. FASTERHOLDT always focuses on the function of the wood-burning stove, the needs of the stove-owner and the aesthetic sensuality. He creates stoves and solutions that work in everyday life.

As a designer, he strives to remove all unnecessary noise so that the design is as clean as possible.





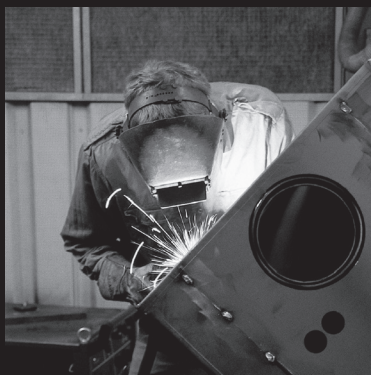
HWAM 4660C



DANISH DESIGN

MANUFACTURED IN DENMARK

DANISH QUALITY





A HWAM WOOD-BURNING STOVE IS BORN From idea to final product...

From idea to wood-burning stove

We believe that innovation and development go hand in hand with production. Take production out of the equation, and you lose the practical knowledge that makes it possible to translate design ideas into real stoves that meet aesthetic as well as functional needs and demands. This is why all our wood-burning stoves and inserts are manufactured at our factory in Hørning and have been for more than 40 years. The process starts with our talented designers whom we have worked with for years. When their ideas and visions have manifested themselves in sketches, they open a dialogue with our designers and sales management for the development of a wood-burning stove or an insert that satisfies the demands of our customers.

Prototypes & tests

When the design drawings are in place, the process moves into our development workshop at the factory in Hørning, where prototypes of the new stove will be prepared. The stove is then tested by our combustion expert to ensure that it meets the stringent requirements for a wood-burning stove. When the wood-burning stove or the insert burns as it should, it is sent for external testing in Denmark and abroad for final approval at a certified test institute.

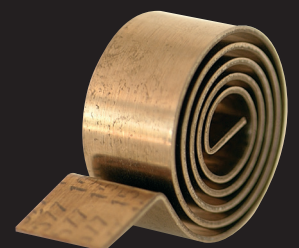
First production

Once the stove has been approved in relation to combustion and safety requirements, it will be put into production. Each single HWAM wood-burning stove is produced to order at our modern factory, and the processes are implemented and supervised by our highly skilled employees. This ensures a stable flow, better control of production and thus a final stove of outstanding quality.

The devil is in the detail

Our goal is to develop wood-burning stoves and inserts with a unique design which appeal to the quality conscious consumer. And this is where the small details make the difference. One of the features that makes a HWAM stove so unique is a bimetallic spring HWAM® Autopilot™ which all our stoves are equipped with. It automatically controls the all-important combustion air inside the wood-burning stove, unlike other stoves, where you must adjust the air in order to obtain good combustion.

We have made it easy for you. This way, you can concentrate on enjoying the warmth and the beautiful enchanting fire.



A bimetallic spring, which automatically controls the combustion air inside the wood-burning stove, is standard in all HWAM wood-burning stoves and inserts.



INSPIRATION

Discover our range, which offers something for everyone. For detailed information on the entire range, see the technical specifications from page 43.

22	HWAM I 40/55
24	HWAM 2600
26	HWAM 3100
28	HWAM 3500
30	HWAM 3600
32	HWAM 4500
34	HWAM 4600
36	HWAM 7150
38	HWAM Classic 4 + HWAM Classic 7H
40	HWAM I 30/55 + HWAM I 30/65



HWAM I 40/55c

HWAM I 40/55

For more information on HWAM I 40/55, see page 63.



HWAM I 40/55c
left hinged



HWAM I 40/55c
right hinged



HWAM I 40/55m
left hinged



HWAM I 40/55m
right hinged



AN INTEGRATED PART OF YOUR HOME

HWAM I 40/55c Design by Sørig & Jacobsen

Simple elegance, clean lines and a minimalist design characterise our new insert, HWAM I 40/55. The wide glass offers a spectacular view of the dancing flames and plays a prominent role by virtue of the simple design. This model is available with a classic cast iron door or a modern glass door, and you can choose between a right hinged or a left hinged door.

HWAM I 40/55 has been designed to allow for very easy servicing. The 55-cm wide combustion chamber is mounted on a rotary arm, which means that the stove can easily be swivelled into the room to allow easy access to all its parts. For more information about HWAM I 40/55, see page 63.



HWAM I 40/55c

Technical data

Capacity	4-8 kW
Nominal heat output	6,4 kW
Smoke outlet	Ø 150 mm
Energy efficiency class	A+
Net efficiency	80%
Door	Classic or modern
Door	Right or left hinged
Chimney draught, min. (recommended)	11 Pa
Width of combustion chamber	55 cm

Approvals & registrations

- EN 13229
 - NS 3058/3059
 - Art. 15a
 - BlmSchV Stufe 2
 - LRV
 - RLU
 - Brændeovnsbekendtgørelsen 2018
- * Pending registration



Combustion air system





HWAM 2620c

The HWAM 2600-series

For more information on the HWAM 2600-series, see page 44.



HWAM 2610c with side glasses and plinth



HWAM 2610m with side glasses



HWAM 2620c on pedestal



HWAM 2630c with side glasses



HWAM 2640c



HWAM 2640m



SMALL, EFFICIENT & SOPHISTICATED

HWAM 2620c Design by Sørig & Jacobsen

With its practical size, HWAM 2620 fits into small and large homes alike and creates a cosy gathering point for you and the ones you hold dear. HWAM 2620 is characterised by its beautiful rounded front, which, in combination with very simple lines, lends the stove a timeless expression. A great little wood-burning stove that fits into most homes. Let the flames seduce you and create a pleasant atmosphere in your home. For more information about the HWAM 2600-series, see page 44.



HWAM 2620C

Technical data

Capacity	2-6 kW
Nominal heat output	4,5 kW
Smoke outlet	Ø 150 mm
Energy efficiency class HWAM® Autopilot™/ HWAM® SmartControl™	A+ / A+
Net efficiency HWAM® Autopilot™/ HWAM® SmartControl™	80,3%/81,3%
Door	Classic or modern
Chimney draught, min. (recommended)	12 Pa
Width of combustion chamber	27 cm

Approvals & registrations

- EN 13240
 - NS 3058/3059
 - Art. 15a*
 - BlmSchV Stufe 2
 - LRV
 - RLU**
 - Brændeovnsbekendtgørelsen 2018
- * Not HWAM® Autopilot™ ** Not HWAM 2610 and HWAM 2620



Combustion air system





HWAM 3120m

The HWAM 3100-series

For more information on the HWAM 3100-series, see side 46.



HWAM 3110c with plinth



HWAM 3110m



HWAM 3110m on pedestal



HWAM 3120c



HWAM 3120m



HWAM 3130m



POWERFUL & EYE-CATCHING

HWAM 3120m Design by Sørig & Jacobsen

A timeless wood-burning stove that helps create a nice cosy corner in your home. HWAM 3120 is characterised by its beautiful elliptical shape that makes it the centrepiece of the room. The perfectly curved glass window offers an impressive view of the flames and acts as a powerful eye-catcher. It does not always have to be four-square. For more information about the HWAM 3100-series, see page 46.



HWAM 3120m

Technical data

Capacity	2-7 kW
Nominal heat output	4,5 kW
Smoke outlet	Ø 150 mm
Energy efficiency class HWAM® Autopilot™/ HWAM® SmartControl™	A / A+
Net efficiency HWAM® Autopilot™/ HWAM® SmartControl™	78,1%/83,4%
Door	Classic or modern
Chimney draught, min. (recommended)	12 Pa
Width of combustion chamber	33 cm

Approvals & registrations

- EN 13240
 - NS 3058/3059
 - Art. 15a*
 - BlmSchV Stufe 2
 - LRV
 - RLU**
 - Brændeovnsbekendtgørelsen 2018
- * Not HWAM® Autopilot™ ** Not HWAM 3110 *** Not HWAM 3130



Combustion air system





HWAM 3520c

The HWAM 3500-series

For more information on the HWAM 3500-series, see page 48.



HWAM 3520c



HWAM 3520m



HWAM 3520c with soapstone



HWAM 3530c



HWAM 3530c with soapstone



ELEGANT BEAUTY WITH CLEAR LINES

HWAM 3520c Design by Sørig & Jacobsen

HWAM 3520 is an invitation to peace and quiet and a break from the hustle and bustle of everyday life. A wood-burning stove with character whose sculptural idiom contributes to a classic expression in your home. The round forms give the stove character and allow it to be part of the decor, even when not in use. For more information about the HWAM 3500-series, see page 48.



HWAM 3520c

Technical data

Capacity
Nominal heat output
Smoke outlet
Energy efficiency class HWAM® Autopilot™/ HWAM® SmartControl™
Net efficiency HWAM® Autopilot™/ HWAM® SmartControl™
Door
Chimney draught, min. (recommended)
Width of combustion chamber

2-7 kW
4,5 kW
Ø 150 mm
A / **A+**
78,1%/83,4%
Classic or modern
12 Pa
33 cm

Approvals & registrations

- EN 13240
- NS 3058/3059
- Art. 15a*
- BImSchV Stufe 2
- LRV
- RLU
- Brændeovnsbekendtgørelsen 2018

* Not HWAM® Autopilot™



Combustion air system





HWAM 3630m

The HWAM 3600-series

For more information on the HWAM 3600-series, see page 50.



HWAM 3630c with side glasses



HWAM 3640c with soapstone



HWAM 3640m



HWAM 3650c med sideglasses



HWAM 3650m with side glasses



HWAM 3660c



HWAM 3660m



HWAM 3660m with soapstone



PERFECT PROPORTIONS

HWAM 3630m Design by Sørig & Jacobsen

Create the most beautiful frames in your home with room for good company and good times in front of the stove. Magical moments when you forget about time and place and just live for the moment. The modern technology is hidden behind HWAM 3630's minimalistic exterior to allow you to enjoy the fire, the cosiness and the heat in style. For more information about the HWAM 3600-series, see page 50.



HWAM 3630m

Technical data

Capacity	3-9 kW
Nominal heat output	6,0 kW
Smoke outlet	Ø 150 mm
Energy efficiency class HWAM® Autopilot™/ HWAM® SmartControl™	A / A+
Net efficiency HWAM® Autopilot™/ HWAM® SmartControl™	78,3%/80,7%
Door	Classic or modern
Chimney draught, min. (recommended) HWAM® Autopilot™/ HWAM® SmartControl™	11 Pa/12 Pa
Width of combustion chamber	35 cm

Approvals & registrations

- EN 13240
- NS 3058/3059
- Art. 15a*
- BImSchV Stufe 2
- LRV
- RLU
- Brændeovnsbekendtgørelsen 2018



* Not HWAM® Autopilot™ ** Not HWAM® SmartControl™ *** Not HWAM 3660

Combustion air system





HWAM 4520c

The HWAM 4500-series

For more information on the HWAM 4500-series, see side 53.





SLIGHTLY MORE EDGE

HWAM 4520c Design by Sørig & Jacobsen

Decorate your home with HWAM 4520, which oozes elegance and exclusivity, and let its attractive design contribute to a timeless Scandinavian look. This sophisticated wood-burning stove offers you an impressive view of the flames. A timeless wood-burning stove with excellent and clean combustion. For more information about the HWAM 4500-series, see page 53.



HWAM 4520c

Technical data

Capacity	3-7 kW
Nominal heat output	4,9 kW
Smoke outlet	Ø 150 mm
Energy efficiency class HWAM® Autopilot™/ HWAM® SmartControl™	A+ / A+
Net efficiency HWAM® Autopilot™/ HWAM® SmartControl™	81,6%/81,0%
Door	Classic or modern
Chimney draught, min. (recommended)	12 Pa
Width of combustion chamber	35,8 cm

Approvals & registrations

- EN 13240
- NS 3058/3059
- Art. 15a
- BImSchV Stufe 2
- LRV
- RLU
- Brændeovnsbekendtgørelsen 2018

* Only HWAM 4540 and HWAM 4560



Combustion air system





HWAM 4660c

The HWAM 4600-series

For more information on the HWAM 4600-series, see page 56.



HWAM 4620c



HWAM 4640m with soapstone



HWAM 4640m



HWAM 4660c



HWAM 4660m with Tobacco soapstone



WIDE & BREATHTAKING

HWAM 4660c Design by Sørig & Jacobsen

HWAM 4660 has a simple, architectural design with unique details and the iconic HWAM handle. The extra-wide HWAM 4600 models allow an even better view of the flames. The extra spacious combustion chamber allows firewood of up to 45 cm in length. Sit back and enjoy the flames for even longer. For more information about the HWAM 4600-series, see page 56.



HWAM 4660c

Technical data

Capacity
Nominal heat output
Smoke outlet
Energy efficiency class HWAM® Autopilot™/ HWAM® SmartControl™
Net efficiency HWAM® Autopilot™/ HWAM® SmartControl™
Door
Chimney draught, min. (recommended)
Width of combustion chamber

3-9 kW
7,0 kW/8,0 kW
Ø 150 mm
A⁺ / **A⁺**
80%/81%
Classic or modern
12 Pa
49 cm

Approvals & registrations

- EN 13240
- NS 3058/3059
- Art. 15a
- BImSchV Stufe 2
- LRV
- RLU
- Brændeovnsbekendtgørelsen 2018

* Not HWAM® SmartControl™



Combustion air system





HWAM 7150c

The HWAM 7150

For more information
on HWAM 7150,
see page 58.



HWAM 7150c
with soapstone



INVITE NATURE INTO YOUR HOME

HWAM 7150c Design by Sørig & Jacobsen

Some things light up even when not in use. This is true of HWAM 7150. Make your home more dynamic by mixing unique natural stone with a rigorous design — a dramatic contrast you will never get tired of looking at. Enjoy the dancing flames and the stone with the impress of nature. For more information about HWAM 7150, see page 58.



HWAM 7150c

Technical data

Capacity	2-7 kW
Nominal heat output	4,5 kW
Smoke outlet	Ø 150 mm
Energy efficiency class HWAM® Autopilot™/ HWAM® SmartControl™	A+ / A+
Net efficiency HWAM® Autopilot™/ HWAM® SmartControl™	80,9%/80,5%
Door	Classic or modern
Chimney draught, min. (recommended)	12 Pa
Width of combustion chamber	33 cm

Approvals & registrations

- EN 13240
- NS 3058/3059
- Art. 15a
- BImSchV Stufe 2
- LRV
- RLU
- Brændeovnsbekendtgørelsen 2018



Combustion air system





HWAM Classic 4

The HWAM Classic-series

For more information on the HWAM Classic-series, see page 59 + 60.



HWAM Classic 4



HWAM Classic 4 with plinth & baking oven



HWAM Classic 7H



WE LOVE THE CLASSICS

HWAM Classic 4 Design by Anders C. Fasterholdt

HWAM Classic 4 is a classic stove that has been very popular ever since it saw the light of day more than 30 years ago. This series is available with a handy baking oven that allows you to enjoy more than just the warmth and the beautiful play of the dancing flames. The baking oven makes it possible to utilize the heat to bake pizzas, bread and pastries. The smell of freshly baked bread spreading to the house while you enjoy a quiet moment in front of the stove. Who could ask for more? For more information about the HWAM Classic-series, see page 59 + 60.



Technical data

Capacity HWAM Classic 4/HWAM Classic 7H	3-8 kW/8-14 kW
Nominal heat output HWAM Classic 4/HWAM Classic 7H	8 kW/11 kW
Smoke outlet HWAM Classic 4/HWAM Classic 7H	Ø 150 mm/Ø 180 mm
Energy efficiency class	A
Net efficiency	79,3%
Door	Classic
Chimney draught, min. (recommended)	12 Pa
Width of combustion chamber HWAM Classic 4/HWAM Classic 7H	40 cm/46 cm

Approvals & registrations

- EN 13240
- BImSchV Stufe 2
- LRV

* Only HWAM Classic 4



Combustion air system





HWAM I 30/55

HWAM I 30/55, I 30/65

For more information on HWAM I 30/55 and I 30/65, see page 61 + 62.



HWAM I 30/55
lift-up door



HWAM I 30/55s
side hinged door



HWAM I 30/65
lift-up door



STYLISH & TIMELESS

HWAM I 30/55 & I 30/65 Design by Strand + Hvass

Good time in front of the fire, the perfect place to unwind in peace and quiet together with friends and family. Despite its fashionable expression, These models fit most homes. Underline the timeless decor of your home or create a nice contrast to traditional or modern decor. The wide glass and the large combustion chamber offer an impressive view of the flames. The glass door is available in two variants, one that can be side hinged and one that can be raised. For more information about HWAM I 30/55 and I 30/65, see page 61 + 62.



Technical data

Capacity HWAM I 30/55/HWAM I 30/65
Nominal heat output HWAM I 30/55/HWAM I 30/65
Smoke outlet
Energy efficiency class HWAM I 30/55/HWAM I 30/65
Net efficiency HWAM I 30/55/HWAM I 30/65
Door
Door HWAM I 30/55/HWAM I 30/65
Door HWAM I 30/55s
Chimney draught, min. (recommended)
Width of combustion chamber HWAM I 30/55/HWAM I 30/65

4-10 kW/6-14 kW
7,0 kW/10,0 kW
Ø 150 mm
A⁺ / **A**
80,7%/78,5%
Modern
Lift-up
Side hinged
12 Pa
55 cm /81 cm

Approvals & registrations

- EN 13229
- NS 3058/3059*
- BlmSchV Stufe 2*
- LRV
- Brændeovnsbekendtgørelsen 2018

* Only HWAM I 30/55



Combustion air system







TECHNICAL SPECIFICATIONS

44	HWAM 2600
46	HWAM 3100
48	HWAM 3500
50	HWAM 3600
53	HWAM 4500
56	HWAM 4600
58	HWAM 7150
59	HWAM Classic 4
60	HWAM Classic 7H
61	HWAM I 30/55
62	HWAM I 30/65
63	HWAM I 40/55
64	Product overview
66	Distance to combustible materials
67	Approvals & registrations
68	Test results

HWAM 2610/2620

Technical data

Capacity	2-6 kW
Nominal heat output	4.5 kW
Smoke outlet	Ø 150 mm
Net efficiency Autopilot™/ SmartControl™	80.3%/81.3 %
Chimney draught, min. (recommended)	12 Pa
Energy efficiency class Autopilot™/SmartControl™	A+/A+

Weight

Weight HWAM 2610c/2610m	66/64 kg
Weight HWAM 2620c/2620m	66/64 kg
Weight pedestal	15 kg

Measurements

Width of combustion chamber	27.0 cm
Connection from floor with Autopilot™*, top	65.1 cm
Connection from floor with SmartControl™*, top	67.8 cm
Connection from floor on plinth, Autopilot™, top	68.1 cm
Connection from floor on plinth, SmartControl™, top	70.8 cm
Connection from floor on pedestal, Autopilot™, top	95.1 cm
Connection from floor on pedestal, SmartControl™, top	97.8 cm
Connection from wall to center of top outlet, wall mounted	18.9 cm

* From the lower edge of the stove without plinth
 ** Not HWAM® Autopilot™

Variants

Autopilot™ or SmartControl™
Classic door (c) or modern door (m)
Cast iron top, top outlet or rear outlet
Pedestal, plinth or wall mounted
HWAM 2610m/2620m are available in black, grey and white
HWAM 2610c/2620c are available in black and grey

Accessories

Combustion air system rear/bottom

Approvals and registrations

- EN 13240
- NS 3058/3059
- Art. 15a**
- BlmSchV Stufe 2
- LVR
- Brændeovnsbekendtgørelsen 2018



Combustion air system



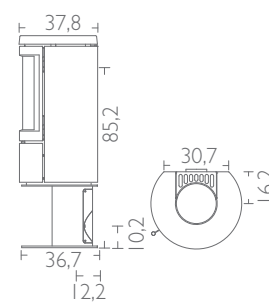
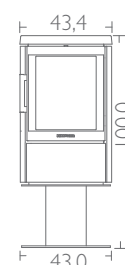
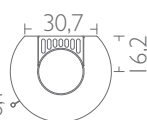
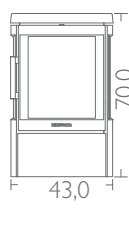
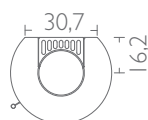
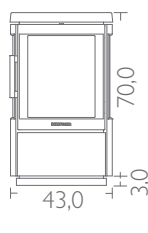
HWAM 2610c with side glasses and plinth



HWAM 2610m with side glasses



HWAM 2620c on pedestal



HWAM 2630/2640

Technical data

Capacity	2-6 kW
Nominal heat output	4.5 kW
Smoke outlet	Ø 150 mm
Net efficiency Autopilot™/ SmartControl™	80.3%/81.3%
Chimney draught, min. (recommended)	12 Pa
Energy efficiency class Autopilot™/SmartControl™	A+/A+

Weight

Weight HWAM 2630c/2630m	75/73 kg
Weight HWAM 2640c/2640m	75/73 kg

Measurements

Width of combustion chamber	27.0 cm
Connection from floor with Autopilot™, top	95.1 cm
Connection from floor with SmartControl™, top	97.8 cm

* Not HWAM® Autopilot™

Variants

Autopilot™ or SmartControl™
Classic door (c) or modern door (m)
Cast iron top, top outlet or rear outlet
HWAM 2630m/ HWAM 2640m are available in black, grey and white
HWAM 2630c/ HWAM 2640c are available in black and grey

Accessories

Combustion air system rear/bottom

Approvals and registrations

- EN 13240
- NS 3058/3059
- Art. 15a*
- BlmSchV Stufe 2
- LVR
- RLU
- Brændeovnsbekendtgørelsen 2018



Combustion air system



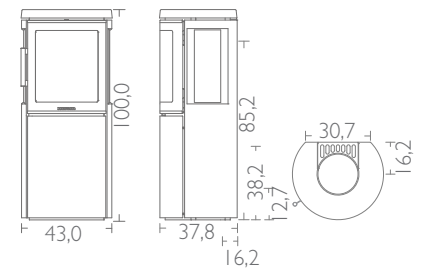
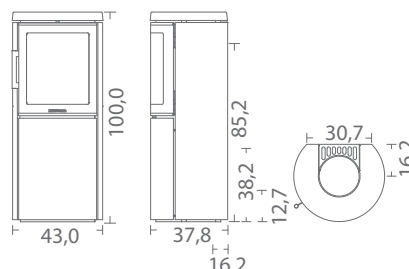
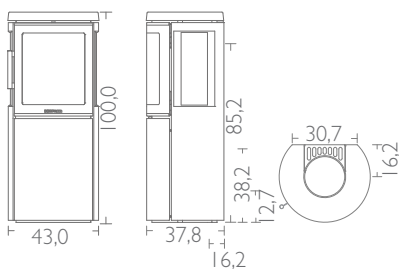
HWAM 2630c with side glasses



HWAM 2640c



HWAM 2640m



All drawings: The measurements for the flue outlet and fresh air connection are to the centre of the hole.

HWAM 3110

Technical data

Capacity	2-7 kW
Nominal heat output	4.5 kW
Smoke outlet	Ø 150 mm
Net efficiency Autopilot™	78.1%
Chimney draught, min. (recommended)	12 Pa
Energy efficiency class	A

Weight

Weight HWAM 3110c/3110m	87/84 kg
Weight pedestal	14 kg

Measurements

Width of combustion chamber	33.0 cm
Connection from floor*, top	69.8 cm
Connection from floor on plinth, top	72.8 cm
Connection from floor on pedestal, top	99.8 cm
Connection from wall to center of top outlet, wall-mounted	20.5 cm

* From the lower edge of the stove without plinth

Variants

Autopilot™
Classic door (c) or modern door (m)
Cast iron top, top outlet or rear outlet
Pedestal, plinth, wall bracket or corner wall bracket
HWAM 3110m is available in black, grey and white
HWAM 3110c is available in black and grey

Accessories

Combustion air system rear/bottom

Approvals and registrations

- EN 13240
- NS 3058/3059
- BlmSchV Stufe 2
- LVR
- Brændeovnsbekendtgørelsen 2018



Combustion air system



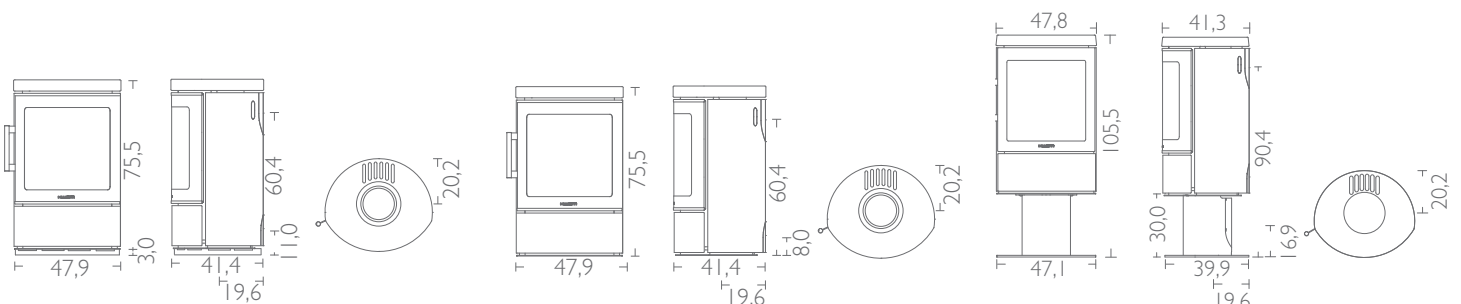
HWAM 3110c with plinth



HWAM 3110m, white



HWAM 3110m on pedestal



HWAM 3120/3130

Technical data

Capacity	2-7 kW
Nominal heat output	4.5 kW
Smoke outlet	Ø 150 mm
Net efficiency Autopilot™/ SmartControl™	78.1%/83.4%
Chimney draught, min. (recommended)	12 Pa
Energy efficiency class Autopilot™/SmartControl™	A/A+

Weight

Weight HWAM 3120c/3120m	107/104 kg
Weight HWAM 3130c/3130m	113/110 kg
Weight, heat storage stones	Ca. 32 kg

Measurements

Width of combustion chamber	33.0 cm
Connection from floor with Autopilot™, top	94.8 cm
Connection from floor with SmartControl™, top	97.5 cm

* Not HWAM® Autopilot™
** Only HWAM 3120

Variants

Autopilot™ or SmartControl™
Classic door (c) or modern door (m)
Cast iron top, top outlet or rear outlet
HWAM 3120m/3130m are available in black, grey and white
HWAM 3120c/3130c are available in black and grey

Accessories

Combustion air system rear/bottom
Heat storage stones (HWAM 3130)

Approvals and registrations

- EN 13240
- NS 3058/3059
- Art. 15a *
- BlmSchV Stufe 2
- LVR
- RLU
- Brandeovnsbekendtgørelsen 2018



Combustion air system



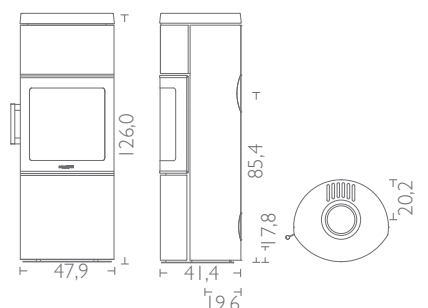
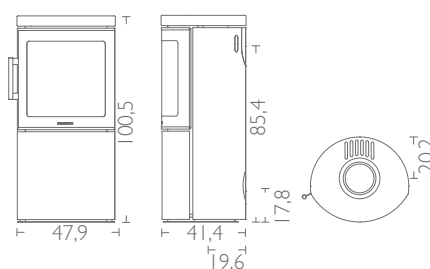
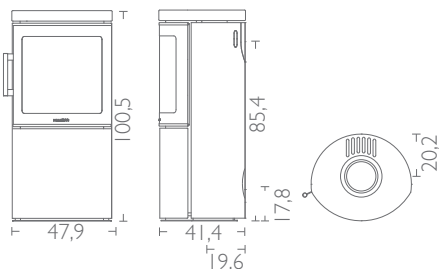
HWAM 3120c



HWAM 3120m, white



HWAM 3130m



All drawings: The measurements for the flue outlet and fresh air connection are to the centre of the hole.

HWAM 3520

Technical data

Capacity	2-7 kW
Nominal heat output	4.5 kW
Smoke outlet	Ø 150 mm
Net efficiency Autopilot™/SmartControl™	78.1%/83.4%
Chimney draught, min. (recommended)	12 Pa
Energy efficiency class Autopilot™/SmartControl™	A/A+

Weight

Weight HWAM 3520c/3520m	118/115 kg
Weight with soapstone cover HWAM 3520c/3520m	167/164 kg
Weight with naturalstone cover HWAM 3520c/3520m	155/152 kg
Weight, heat storage stones	Ca. 44 kg

Measurements

Width of combustion chamber	33.0 cm
Connection from floor with Autopilot™, top	95.0 cm
Connection from floor with SmartControl™, top	97.7 cm

* Not HWAM® Autopilot™

Variants

Autopilot™ or SmartControl™
Classic door (c) or modern door (m)
Cast iron top, top outlet or rear outlet
Soapstone cover; top outlet or rear outlet
Naturalstone cover; top outlet or rear outlet
HWAM 3520m is available in black, grey and white
HWAM 3520c is available in black and grey
HWAM 3520 with stone cover is available in black and grey

Accessories

Combustion air system rear/bottom
Heat storage stones

Approvals and registrations

- EN 13240
- NS 3058/3059
- Art. 15a*
- BlmSchV Stufe 2
- LVR
- RLU
- Brændeovnsbekendtgørelsen 2018



Combustion air system



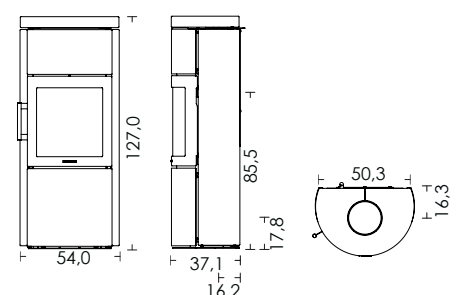
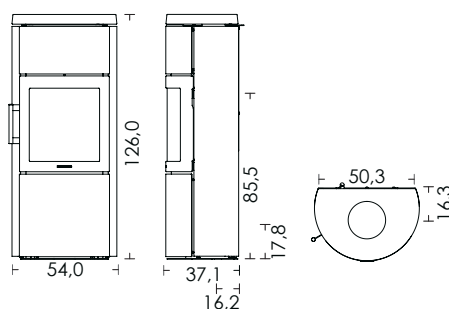
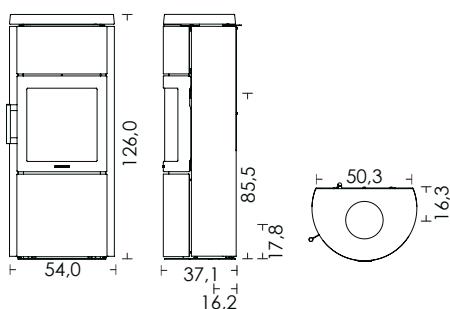
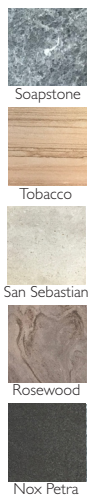
HWAM 3520c



HWAM 3520m



HWAM 3520c with soapstone cover



HWAM 3530

Technical data

Capacity	2-7 kW
Nominal heat output	4.5 kW
Smoke outlet	Ø 150 mm
Net efficiency Autopilot™/SmartControl™	78.1%/83.4%
Chimney draught, min. (recommended)	12 Pa
Energy efficiency class Autopilot™/SmartControl™	A/A+

Weight

Weight HWAM 3530c/3530m	131/128 kg
Weight with soapstone cover HWAM 3530c/3530m	191/188 kg
Weight with naturalstone cover HWAM 3530c/3530m	178/175 kg
Weight, heat storage stones	Ca. 77 kg

Measurements

Width of combustion chamber	33.0 cm
Connection from floor with Autopilot™, top	95.0 cm
Connection from floor with SmartControl™, top	97.7 cm

* Not HWAM® Autopilot™

Variants

Autopilot™ or SmartControl™
Classic door (c) or modern door (m)
Cast iron top, top outlet or rear outlet
Soapstone cover, top outlet or rear outlet
Naturalstone cover, top outlet or rear outlet
HWAM 3530m is available in black, grey and white
HWAM 3530c is available in black and grey
HWAM 3530 with stone cover is available in black and grey

Accessories

Combustion air system rear/bottom
Heat storage stones

Approvals and registrations

- EN 13240
- NS 3058/3059
- Art. 15a*
- BlmSchV Stufe 2
- LVR
- RLU
- Brændeovnsbekendtgørelsen 2018



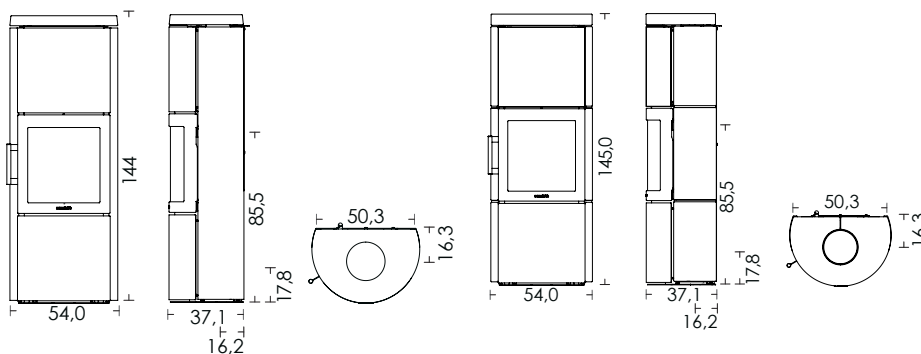
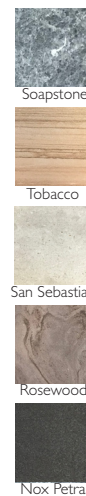
Combustion air system



HWAM 3530c



HWAM 3530c with soapstone cover



All drawings: The measurements for the flue outlet and fresh air connection are to the centre of the hole.

HWAM 3630/3640

Technical data

Capacity	3-9 kW
Nominal heat output	6.0 kW
Smoke outlet	Ø 150 mm
Net efficiency Autopilot™/SmartControl™	78.3%/80.7%
Chimney draught, min. (recommended) Autopilot™/SmartControl™	11 Pa/12 Pa
Energy efficiency class Autopilot™/SmartControl™	A/A+

Weight

Weight HWAM 3630c/3630m	139/136 kg
Weight HWAM 3640c/3640m	139/136 kg
Weight with soapstone cover HWAM 3640c/3640m	229/226 kg
Weight with naturalstone cover HWAM 3640c/3640m	211/208 kg

Measurements

Width of combustion chamber	35.0 cm
Connection from floor with Autopilot™, top	109.6 cm
Connection from floor with SmartControl™, top	112.3 cm

* Not HWAM® Autopilot™

** Not HWAM® SmartControl™

Variants

Autopilot™ or SmartControl™
Classic door (c) or modern door (m)
Cast iron top, top outlet or rear outlet
Soapstone cover, top outlet or rear outlet (HWAM 3640)
Naturalstone cover, top outlet or rear outlet (HWAM 3640)
HWAM 3630m/3640m are available in black, grey and white
HWAM 3630c/3640c are available in black and grey
HWAM 3640 with stone cover is available in black and grey

Accessories

Combustion air system rear/bottom

Approvals and registrations

- EN 13240
- NS 3058/3059
- Art. 15a*
- BImSchV Stufe 2
- LVR
- RLU
- Brændeovnsbekendtgørelsen 2018



Combustion air system



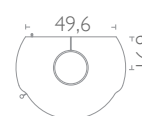
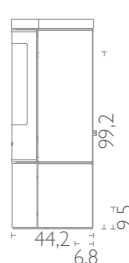
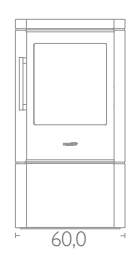
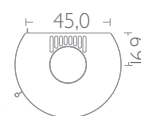
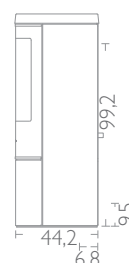
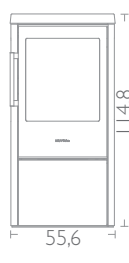
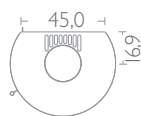
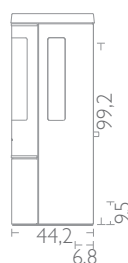
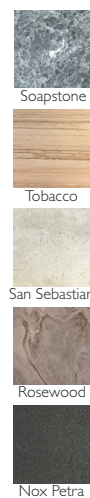
HWAM 3630c with side glasses



HWAM 3640m, white



HWAM 3640c with soapstone cover



HWAM 3650

Technical data

Capacity	3-9 kW
Nominal heat output	6.0 kW
Smoke outlet	Ø 150 mm
Net efficiency Autopilot™/ SmartControl™	78.3%/80.7%
Chimney draught, min. (recommended) Autopilot™/SmartControl™	11 Pa/12 Pa
Energy efficiency class Autopilot™/SmartControl™	A/A+

Weight

Weight HWAM 3650c/3650m	171/168 kg
Weight, heat storage stones	Ca. 55 kg

Measurements

Width of combustion chamber	35.0 cm
Connection from floor with Autopilot™, top	109.6 cm
Connection from floor with SmartControl™, top	112.3 cm

* Not HWAM® Autopilot™
 ** Not HWAM® SmartControl™

Variants

Autopilot™ or SmartControl™
Classic door (c) or modern door (m)
Cast iron top, top outlet or rear outlet
HWAM 3650m is available in black, grey and white
HWAM 3650c is available in black and grey

Accessories

Combustion air system rear/bottom
Heat storage stones

Approvals and registrations

- EN 13240
- NS 3058/3059
- Art. 15a*
- BlmSchV Stufe 2
- LVR
- RLU
- Brændeovnsbekendtgørelsen 2018



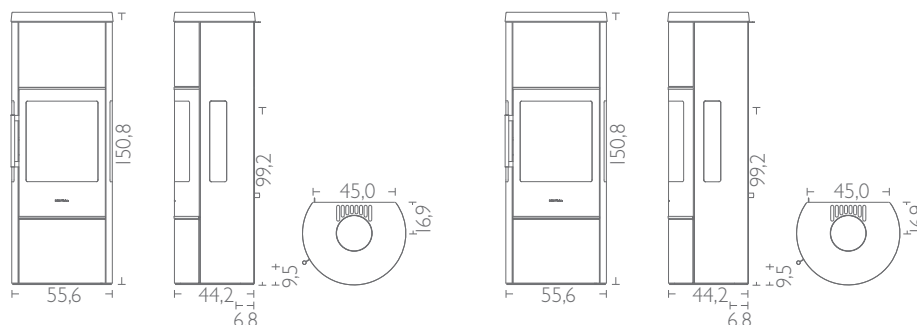
Combustion air system



HWAM 3650c with side glasses



HWAM 3650m with side glasses, white



All drawings: The measurements for the flue outlet and fresh air connection are to the centre of the hole.

HWAM 3660

Technical data

Capacity	3-9 kW
Nominal heat output	6.0 kW
Smoke outlet	Ø 150 mm
Net efficiency Autopilot™/SmartControl™	78.3%/80.7%
Chimney draught, min. (recommended) Autopilot™/SmartControl™	11 Pa/12 Pa
Energy efficiency class Autopilot™/SmartControl™	A/A+

Weight

Weight HWAM 3660c/3660m	171/168 kg
Weight with soapstone cover HWAM 3660c/3660m	282/279 kg
Weight with naturalstone cover HWAM 3660c/3660m	260/257 kg
Weight, heat storage stones	Ca. 55 kg

Measurements

Width of combustion chamber	35.0 cm
Connection from floor with Autopilot™, top	109.6 cm
Connection from floor with SmartControl™, top	112.3 cm

* Not HWAM® Autopilot™
** Not HWAM® SmartControl™

Variants

Autopilot™ or SmartControl™
Classic door (c) or modern door (m)
Cast iron top, top outlet or rear outlet
Soapstone cover, top outlet or rear outlet
Naturalstone cover, top outlet or rear outlet
HWAM 3660m is available in black, grey and white
HWAM 3660c is available in black and grey
HWAM 3660 with stone cover is available in black and grey

Accessories

Combustion air system rear/bottom
Heat storage stones

Approvals and registrations

- EN 13240
- NS 3058/3059
- Art. 15a*
- BlmSchV Stufe 2
- LVR
- RLU
- Brændeovnsbekendtgørelsen 2018



Combustion air system



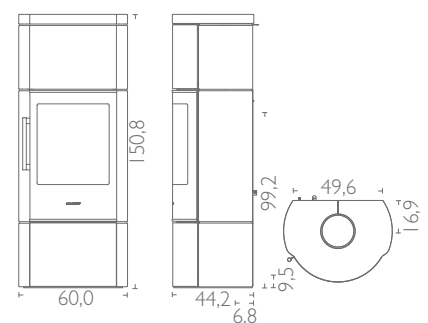
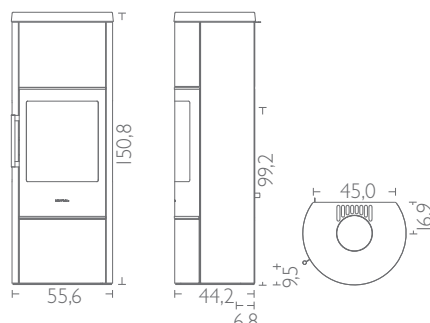
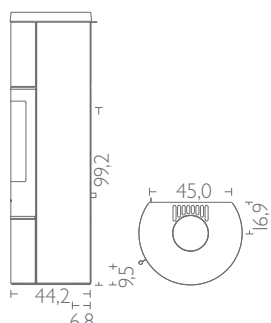
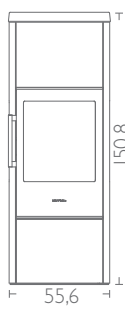
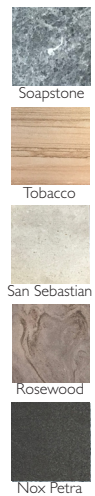
HWAM 3660c



HWAM 3660m, white



HWAM 3660m with soapstone cover



HWAM 4510/4520

Technical data

Capacity	3-7 kW
Nominal heat output	4.9 kW
Smoke outlet	Ø 150 mm
Net efficiency Autopilot™/ SmartControl™	82%/81%
Chimney draught, min. (recommended)	12 Pa
Energy efficiency class Autopilot™/SmartControl™	A+/A+

Weight

Weight HWAM 4510c/4510m	101/99 kg
Weight HWAM 4520c/4520m	96/94 kg
Weight with low base HWAM 4510c/4510m	103/101 kg
Weight with low base HWAM 4520c/4520m	98/86 kg
Weight with low plinth HWAM 4510c/4510m	105/103 kg
Weight with low plinth HWAM 4520c/4520m	100/98 kg
Weight with high plinth HWAM 4510c/4510m	109/107 kg
Weight with high plinth HWAM 4520c/4520m	104/102 kg

Measurements

Width of combustion chamber	35.8 cm
Connection from floor without plinth, top, Autopilot™*	72.3 cm
Connection from floor without plinth, top, SmartControl™*	77.8 cm
Connection from floor low base, top	77.8 cm
Connection from floor low plinth, top	89.8 cm
Connection from floor high plinth, top	100.8 cm
Connection from wall to center of top outlet, wall mounted	21.3 cm

* From the lower edge of the stove.

NB: Do not place low models of HWAM 4510/4520 on a flammable floor. Ask your local retailer for advice if in doubt.

Variants

Autopilot™ or SmartControl™ (only wall mounted or with a plinth)

Classic door (c) or modern door (m)

Cast iron top, top outlet or rear outlet

Floor model, low base, low plinth, high plinth or wall mounted

HWAM 4510m/4520m are available in black, grey and white

HWAM 4510c/4520c are available in black and grey

Accessories

Combustion air system rear/bottom

Approvals and registrations

- EN 13240
- NS 3058/3059
- Art. 15a
- BlmSchV Stufe 2
- LVR
- RLU
- Brændeovnsbekendtgørelsen 2018



Combustion air system



HWAM 4520c
HWAM® Autopilot™



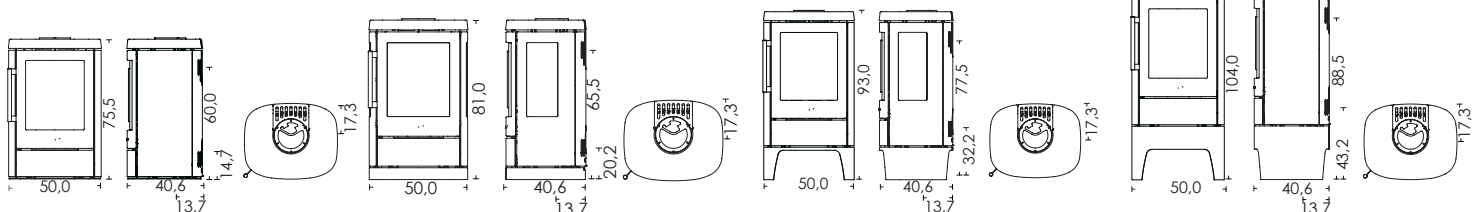
HWAM 4510c
with low base
HWAM® Autopilot™



HWAM 4510c
with low plinth
HWAM® Autopilot™



HWAM 4520m
with high plinth



All drawings: The measurements for the flue outlet and fresh air connection are to the centre of the hole.

HWAM 4530/4540

Technical data

Capacity	3-7 kW
Nominal heat output	49 kW
Smoke outlet	Ø 150 mm
Net efficiency Autopilot™/ SmartControl™	82%/81%
Chimney draught, min. (recommended)	12 Pa
Energy efficiency class Autopilot™/SmartControl™	A+/A+

Weight

Weight HWAM 4530c/4530m	124/122 kg
Weight HWAM 4540c/4540m	119/117 kg
Weight with soapstone cover HWAM 4540c/4540m	175/173 kg
Weight with naturalstone cover HWAM 4540c/4540m	136/134 kg

Measurements

Width of combustion chamber	35.8 cm
Connection from floor; top	111.4 cm

* Only HWAM 4540

Variants

- Autopilot™ or SmartControl™
- Classic door (c) or modern door (m)
- Cast iron top, top outlet or rear outlet
- Soapstone cover; top outlet or rear outlet (HWAM 4540)
- Naturalstone cover; top outlet or rear outlet (HWAM 4540)
- HWAM 4530m/4540m are available in black, grey and white
- HWAM 4530c/4530c are available in black and grey
- HWAM 4540 with stone cover is available in black and grey

Accessories

- Combustion air system rear/bottom

Approvals and registrations

- EN 13240
- NS 3058/3059
- Art. 15a
- BlmSchV Stufe 2
- LVR
- RLU
- Brændeovnsbekendtgørelsen 2018



Combustion air system



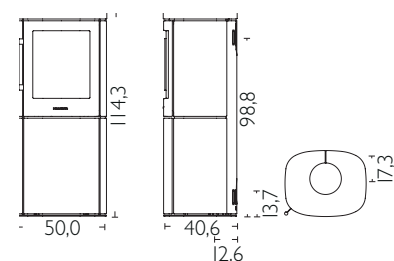
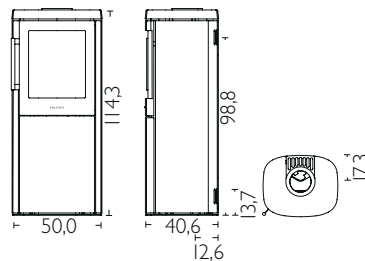
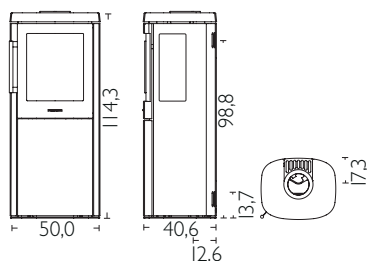
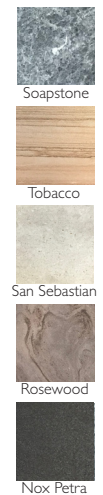
HWAM 4530c with side glasses



HWAM 4540m



HWAM 4540c with soapstone cover



HWAM 4550/4560

Technical data

Capacity	3-7 kW
Nominal heat output	4.9 kW
Smoke outlet	Ø 150 mm
Net efficiency Autopilot™/SmartControl™	82%/81%
Chimney draught, min. (recommended)	12 Pa
Energy efficiency class Autopilot™/SmartControl™	A+/A+

Weight

Weight HWAM 4550c/4550m	134/132 kg
Weight HWAM 4560c/4560m	129/127 kg
Weight with soapstone cover HWAM 4560c/4560m	201/199 kg
Weight with naturalstone cover HWAM 4560c/4560m	156/154 kg
Weight, heat storage stones	Ca. 29 kg

Measurements

Width of combustion chamber	35.8 cm
Connection from floor; top	111.4 cm

* Only HWAM 4560

Variants

- Autopilot™ or SmartControl™
- Classic door (c) or modern door (m)
- Cast iron top, top outlet or rear outlet
- Soapstone cover; top outlet or rear outlet (HWAM 4560)
- Naturalstone cover; top outlet or rear outlet (HWAM 4560)
- HWAM 4550m/4560m are available in black, grey and white
- HWAM 4550c/4560c are available in black and grey
- HWAM 4560 with stone cover is available in black and grey

Accessories

- Combustion air system rear/bottom
- Heat storage stones

Approvals and registrations

- EN 13240
- NS 3058/3059
- Art. 15a
- BlmSchV Stufe 2
- LVR
- RLU
- Brændeovnsbekendtgørelsen 2018



Combustion air system



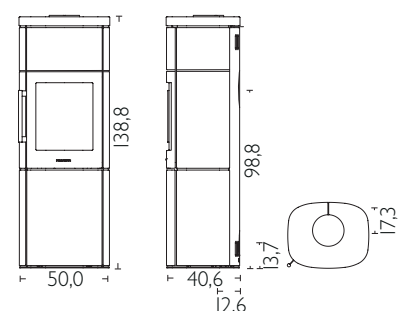
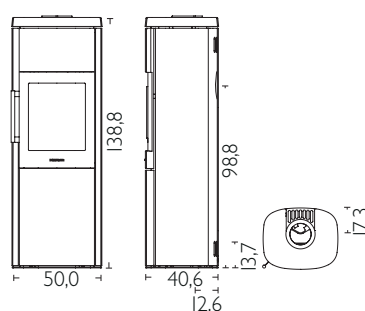
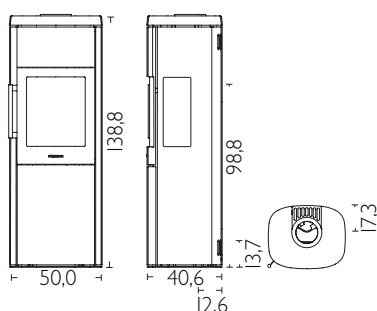
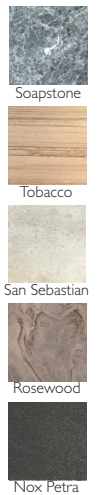
HWAM 4550m



HWAM 4560c



HWAM 4560m with soapstone cover



All drawings: The measurements for the flue outlet and fresh air connection are to the centre of the hole.

HWAM 4620/4640

Technical data

Capacity	3-9 kW
Nominal heat output Autopilot™/SmartControl™	7.0/8.0 kW
Smoke outlet	Ø 150 mm
Net efficiency Autopilot™/ SmartControl™	80%/81%
Chimney draught, min. (recommended)	12 Pa
Energy efficiency class Autopilot™/SmartControl™	A+/A+

Weight

Weight HWAM 4620c/4620m	119/117 kg
Weight HWAM 4640c/4640m	133/131 kg
Weight with soapstone cover HWAM 4640c/4640m	197/195 kg
Weight with naturalstone cover HWAM 4640c/4640m	182/180 kg

Measurements

Width of combustion chamber	49.0 cm
Connection from floor; top, HWAM 4620	81.9 cm
Connection from floor; top, HWAM 4640	111.4 cm

* Not HWAM® SmartControl™

Variants

Autopilot™ (HWAM 4620/4640) or SmartControl™ (HWAM 4640)

Classic door (c) or modern door (m)

Cast iron top, top outlet or rear outlet

Soapstone cover; top outlet or rear outlet (HWAM 4640)

Naturalstone cover; top outlet or rear outlet (HWAM 4640)

HWAM 4620m/4640m are available in black, grey and white

HWAM 4620c/4640c are available in black and grey

HWAM 4640 with stone cover is available in black and grey

Accessories

Combustion air system rear/bottom

Approvals and registrations

- EN 13240
- NS 3058/3059
- Art. 15a
- BImSchV Stufe 2
- LVR
- RLU
- Brændeovnsbekendtgørelsen 2018



Combustion air system



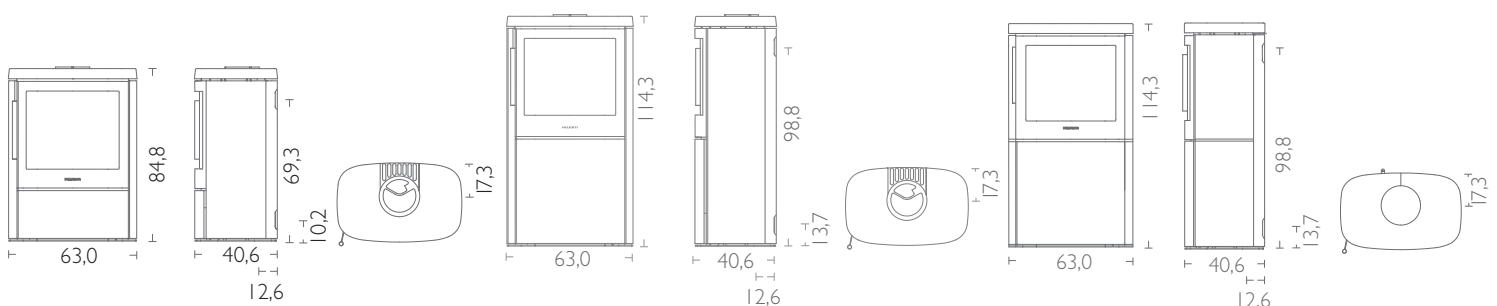
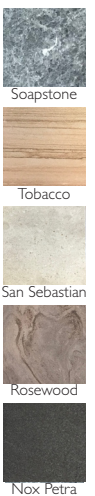
HWAM 4620c



HWAM 4640m



HWAM 4640m with soapstone cover



All drawings: The measurements for the flue outlet and fresh air connection are to the centre of the hole.

HWAM 4660

Technical data

Capacity	3-9 kW
Nominal heat output Autopilot™/SmartControl™	7.0/80 kW
Smoke outlet	Ø 150 mm
Net efficiency Autopilot™/ SmartControl™	80%/81%
Chimney draught, min. (recommended)	12 Pa
Energy efficiency class Autopilot™/SmartControl™	A+/A+

Weight

Weight HWAM 4660c/4660m	153/151 kg
Weight with soapstone cover HWAM 4660c/4660m	224/222 kg
Weight with naturalstone cover HWAM 4660c/4660m	209/207 kg
Weight, heat storage stones	Ca. 45 kg

Measurements

Width of combustion chamber	49.0 cm
Connection from floor; top	111.4 cm

* Not HWAM® SmartControl™

Variants

Autopilot™ or SmartControl™
Classic door (c) or modern door (m)
Cast iron top, top outlet or rear outlet
Soapstone cover; top outlet or rear outlet
Naturalstone cover; top outlet or rear outlet
HWAM 4660m is available in black, grey and white
HWAM 4660c is available in black and grey
HWAM 4660 with stone cover is available in black and grey

Accessories

Combustion air system rear/bottom
Heat storing stone

Approvals and registrations

- EN 13240
- NS 3058/3059
- Art. 15a
- BlmSchV Stufe 2
- LVR
- RLU
- Brændeovnsbekendtgørelsen 2018



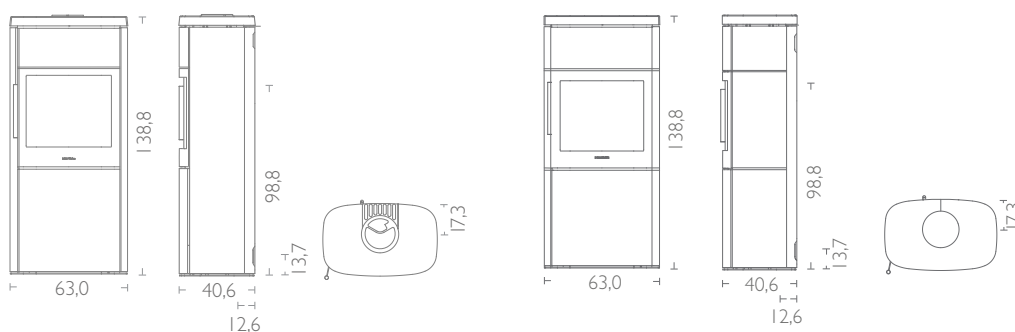
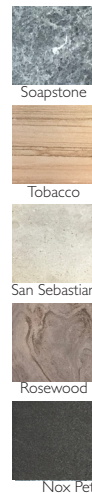
Combustion air system



HWAM 4660c



HWAM 4660m with Tobacco sandstone cover



All drawings: The measurements for the flue outlet and fresh air connection are to the centre of the hole.

HWAM 7150

Technical data

Capacity	2-7 kW
Nominal heat output	4.5 kW
Smoke outlet	Ø 150 mm
Net efficiency Autopilot™/SmartControl™	80.9%/80.5%
Chimney draught, min. (recommended)	12 Pa
Energy efficiency class Autopilot™/SmartControl™	A+/A+

Weight

Weight with soapstone cover HWAM 7150c/7150m	462/459 kg
Weight, heat storage stones HWAM 7150	Ca. 50 kg

Measurements

Width of combustion chamber	33.0 cm
Connection from floor, top	138.1 cm

Variants

Autopilot™ or SmartControl™
Classic door (c) or modern door (m)
HWAM 7150 with soapstone is available in black

Accessories

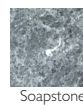
Combustion air system rear/bottom
Heat storage stones

Approvals and registrations

- EN 13240
- NS 3058/3059
- Art. 15a
- BlmSchV Stufe 2
- LVR
- RLU
- Brændeovnsbekendtgørelsen 2018

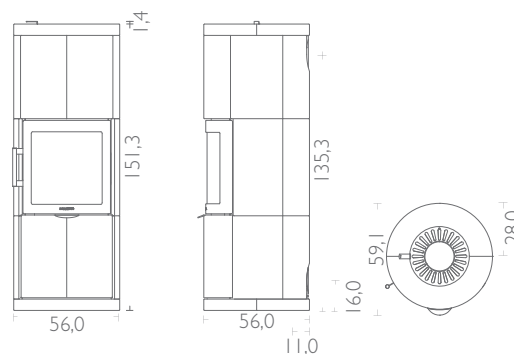


Combustion air system



Soapstone

HWAM 7150c with soapstone cover



All drawings: The measurements for the flue outlet and fresh air connection are to the centre of the hole.

HWAM Classic 4

Technical data

Capacity	3-8 kW
Nominal heat output	8 kW
Smoke outlet	Ø 150 mm
Net efficiency	79,3%
Chimney draught, min. (recommended)	12 Pa
Energy efficiency class	A

Weight

Weight	108 kg
Weight with plinth	120 kg
Weight with baking oven	178 kg
Weight with plinth and baking oven	190 kg

Measurements

Width of combustion chamber	40.0 cm
Baking oven, H x W x D	22.5 x 46.6 x 23.7 cm
Connection from floor; top	68.7 cm
Connection from floor with plinth, top	90.7 cm
Connection from floor with baking oven, top	108.5 cm
Connection from floor with plinth and baking oven, top	130.5 cm

Variants

- Autopilot™
 - Top outlet or rear outlet (not with baking oven)
 - Plinth
 - Baking oven
- HWAM Classic 4 is available in black and grey

Approvals and registrations

- EN 13240
- BImSchV Stufe 2
- LVR



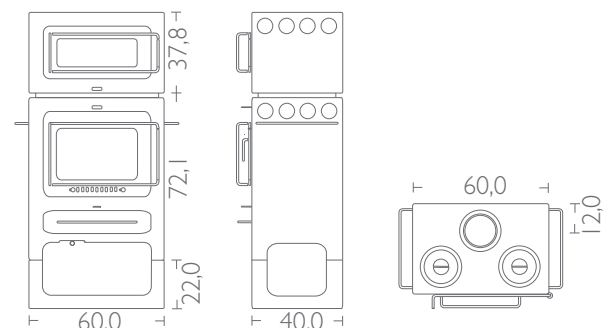
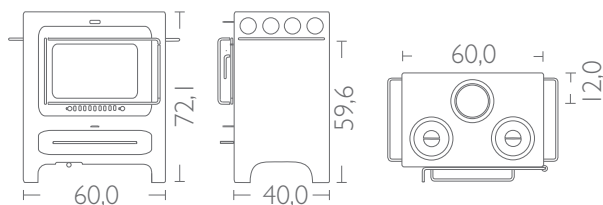
Combustion air system



HWAM Classic 4



HWAM Classic 4 with plinth and baking oven



HWAM Classic 7H

Technical data

Capacity	8-14 kW
Nominal heat output	11 kW
Smoke outlet	Ø 180 mm
Net efficiency	793%
Chimney draught, min. (recommended)	12 Pa
Energy efficiency class	A

Weight

Weight	184 kg
--------	--------

Measurements

Width of combustion chamber	46.0 cm
Cooking section, H x W x D	21.9 x 45.8 x 28.7 cm
Connection from floor, top	116.6 cm

Variants

Autopilot™
Top outlet or rear outlet
Cooking section door
HWAM Classic 7H comes in black and grey

Approvals and registrations

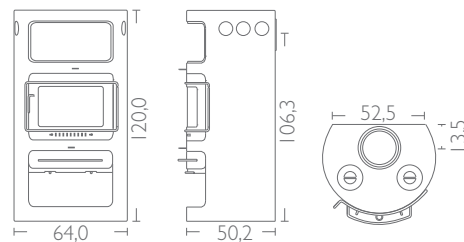
- EN 13240
- BImSchV Stufe 2
- LVR



Combustion air system



HWAM Classic 7H



HWAM I 30/55

Technical data

Capacity	4-10 kW
Nominal heat output	70 kW
Smoke outlet	Ø150 mm
Net efficiency	80.7%
Chimney draught, min. (recommended)	12 Pa
Energy efficiency class	A+

Weight

Weight HWAM I 30/55	98 kg
Weight HWAM I 30/55s	92 kg

Measurements

Width of combustion chamber	55.0 cm
-----------------------------	---------

Variants

- Autopilot™
- Lifting door (HWAM I 30/55) or side hinged door (HWAM I 30/55s)
- Top outlet or rear outlet

Accessories

- Combustion air system rear/bottom

Approvals and registrations

- EN 13229
- NS 3058/3059
- BImSchV Stufe 2
- LVR
- Brændeovnsbekendtgørelsen 2018



Combustion air system



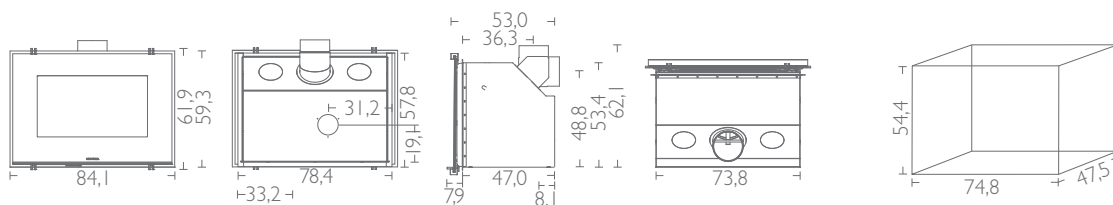
HWAM I 30/55



HWAM I 30/55s



HWAM I 30/55s



HWAM I 30/65

Technical data

Capacity	6-14 kW
Nominal heat output	10 kW
Smoke outlet	Ø150 mm
Net efficiency	785%
Chimney draught, min. (recommended)	12 Pa
Energy efficiency class	A

Weight

Weight	126 kg
--------	--------

Measurements

Width of combustion chamber	81.0 cm
-----------------------------	---------

Variants

Autopilot™

Lift-up door

Top outlet or rear outlet

Accessories

Combustion air system back

Approvals and registrations

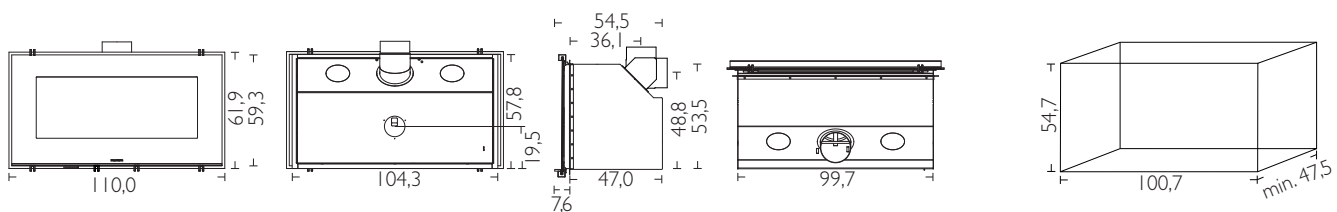
- EN 13229
- LVR
- Brændeovnsbekendtgørelsen 2018



Combustion air system



HWAM I 30/65



HWAM I 40/55

Technical data

Capacity	4-8 kW
Nominal heat output	64 kW
Smoke outlet	Ø150 mm
Net efficiency	80%
Chimney draught, min. (recommended)	11 Pa
Energy efficiency class	A+

Weight

Weight HWAM I 40/55c / I 40/55m	97/99 kg
---------------------------------	----------

Measurements

Width of combustion chamber	55.0 cm
-----------------------------	---------

* Pending registration

Variants

- Autopilot™
- Optional right or left hinged door
- Top outlet or rear outlet

Accessories

- Combustion air system back
- Fan kit
- Customised frame

Approvals and registrations

- EN 13229
- NS 3058/3059
- Art. 15a
- BImSchV Stufe 2
- LVR
- RLU
- Brändeovnsbekendtgørelsen 2018



Combustion air system



HWAM I 40/55m right hinged door



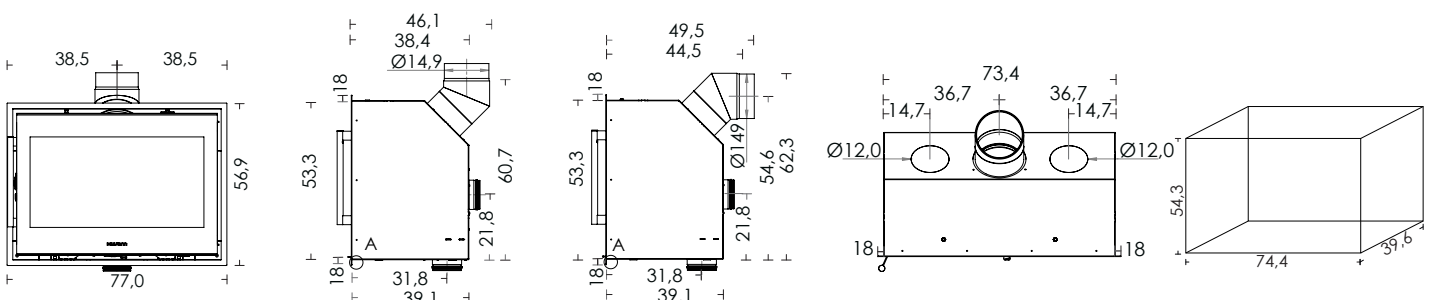
HWAM I 40/55m left hinged door



HWAM I 40/55c right hinged door



HWAM I 40/55c left hinged door



All drawings: The measurements for the flue outlet and fresh air connection are to the centre of the hole.

Product overview

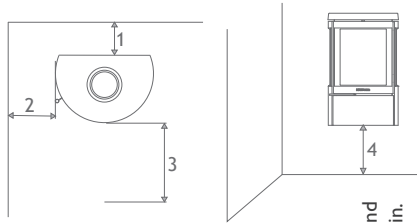
	Function					Design													Connection		
	Nominal heat output <5 kW	Nominal heat output 5-6 kW	Nominal heat output >6 kW	HWAM® Autopilot™	HWAM® SmartControl™	Classic door	Modern door	Side hinged door	Lift-up door	Optional right or left hinged door	Side glasses	Wall-mounted	Pedestal or/and plinth	Heat storage compartment	White	Grey	Black	Soapstone cover/ Naturalstone cover	Wood section	Combustion air system bottom	Combustion air system back
HWAM 2610c	x			x	x	x		x			x	x	x			x	x			x	x
HWAM 2610m	x			x	x		x			x	x	x		x	x	x				x	x
HWAM 2620c	x			x	x	x		x			x	x				x	x			x	x
HWAM 2620m	x			x	x		x				x	x			x	x	x			x	x
HWAM 2630c	x			x	x	x		x			x					x	x			x	x
HWAM 2630m	x			x	x		x			x					x	x	x			x	x
HWAM 2640c	x			x	x	x		x								x	x			x	x
HWAM 2640m	x			x	x		x								x	x	x			x	x
HWAM 3110c	x			x		x		x			x	x				x	x			x	x
HWAM 3110m	x			x			x				x	x			x	x	x			x	x
HWAM 3120c	x			x	x	x		x								x	x			x	x
HWAM 3120m	x			x	x		x								x	x	x			x	x
HWAM 3130c	x			x	x	x		x					x			x	x			x	x
HWAM 3130m	x			x	x		x						x	x		x	x			x	x
HWAM 3520c	x			x	x	x		x					x			x	x	x		x	x
HWAM 3520m	x			x	x		x						x	x		x	x	x		x	x
HWAM 3530c	x			x	x	x		x					x			x	x	x		x	x
HWAM 3530m	x			x	x		x						x	x		x	x	x		x	x
HWAM 3630c		x		x	x	x		x			x					x	x			x	x
HWAM 3630m		x		x	x		x			x					x	x	x			x	x
HWAM 3640c		x		x	x	x		x								x	x	x		x	x
HWAM 3640m		x		x	x		x								x	x	x	x		x	x
HWAM 3650c		x		x	x	x		x			x			x		x	x			x	x
HWAM 3650m		x		x	x		x			x				x	x	x	x			x	x
HWAM 3660c		x		x	x	x		x						x		x	x	x		x	x
HWAM 3660m		x		x	x		x							x	x	x	x	x		x	x



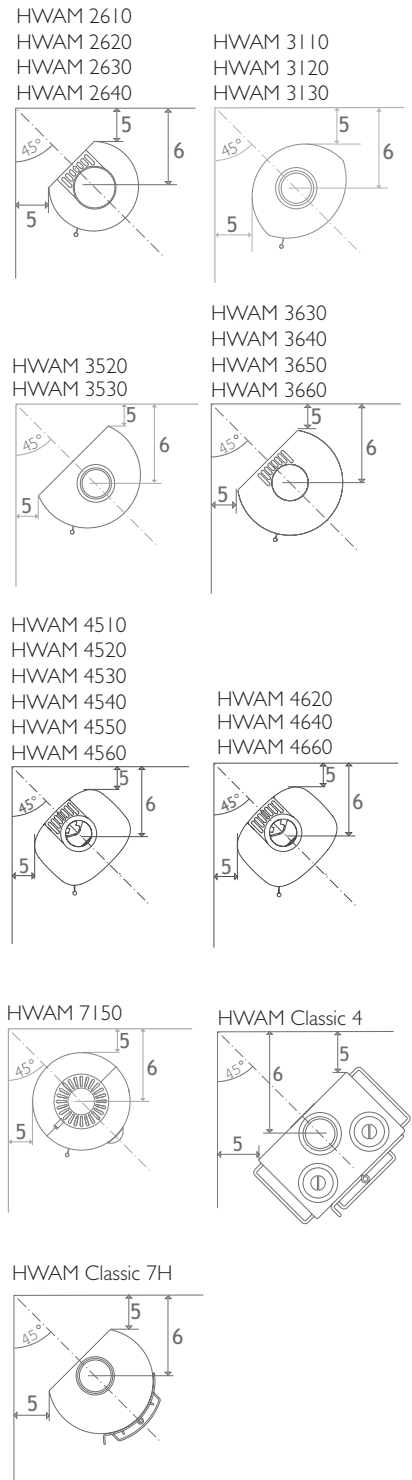
Product overview

	Function					Design												Connection			
	Nominal heat output <5 kW	Nominal heat output 5-6 kW	Nominal heat output >6 kW	HWAM® Autopilot™	HWAM® SmartControl™	Classic door	Modern door	Side hinged door	Lift-up door	Optional right or left hinged door	Side glasses	Wall-mounted	Pedestal or/and plinth	Heat storage compartment	White	Grey	Black	Soapstone cover/ Naturalstone cover	Wood section	Combustion air system bottom	Combustion air system back
HWAM 4510c	x			x	x	x		x			x	x	x			x	x			x	x
HWAM 4510m	x			x	x		x	x			x	x	x		x	x	x			x	x
HWAM 4520c	x			x	x	x		x			x	x			x	x	x			x	x
HWAM 4520m	x			x	x		x	x			x	x			x	x	x			x	x
HWAM 4530c	x			x	x	x		x			x					x	x			x	x
HWAM 4530m	x			x	x		x	x			x				x	x	x			x	x
HWAM 4540c	x			x	x	x		x								x	x	x		x	x
HWAM 4540m	x			x	x		x	x							x	x	x	x		x	x
HWAM 4550c	x			x	x	x		x			x			x		x	x			x	x
HWAM 4550m	x			x	x		x	x			x			x	x	x	x			x	x
HWAM 4560c	x			x	x	x		x						x		x	x	x		x	x
HWAM 4560m	x			x	x		x	x						x	x	x	x	x		x	x
HWAM 4620c			x	x		x		x								x	x			x	x
HWAM 4620m			x	x			x	x							x	x	x			x	x
HWAM 4640c			x	x	x	x		x								x	x	x		x	x
HWAM 4640m			x	x	x		x	x							x	x	x	x		x	x
HWAM 4660c			x	x	x	x		x						x		x	x	x		x	x
HWAM 4660m			x	x	x		x	x						x	x	x	x	x		x	x
HWAM 7150c	x			x	x	x		x						x			x	x		x	x
HWAM 7150m	x			x	x		x	x						x			x	x		x	x
HWAM Classic 4			x	x				x											x		
HWAM Classic 7H			x	x				x											x		
HWAM I 30/55			x	x					x								x			x	x
HWAM I 30/55s			x	x				x									x			x	x
HWAM I 30/65			x	x				x									x				x
HWAM I 40/55			x	x		x	x	x		x							x			x	x

Distance to combustible materials



	1. Behind Cm. min.	2. Side Cm. min.	3. Distance to furnishing in front Cm. min.	4. Above combustible floor Cm. min.	May be installed on a 12 mm thick hearth on combustible floor (UK)	5. Distance to combustible wall, corner location Cm. min.	6. Distance to combustible wall, corner location Cm. min.
HWAM 2610	19	36	80	3 ⁽⁴⁾	× ⁽⁸⁾	34 ⁽³⁾	56 ⁽³⁾
HWAM 2620	19	36	80	3 ⁽⁴⁾	× ⁽⁸⁾	20 ⁽³⁾	42 ⁽³⁾
HWAM 2630	19	36	80	-	×	34 ⁽³⁾	56 ⁽³⁾
HWAM 2640	19	36	80	-	×	20 ⁽³⁾	42 ⁽³⁾
HWAM 3110	10	20	80	3 ⁽⁴⁾	× ⁽⁸⁾	13	34
HWAM 3120	10	20	80	-	×	13	34
HWAM 3130	10	20	80	-	×	13	34
HWAM 3520	10	20	80	-	×	13	43
HWAM 3530	10	20	80	-	×	13	43
HWAM 3630	10	40	90	-	×	35 ⁽³⁾	63 ⁽³⁾
HWAM 3640	10	40	90	-	×	20 ⁽³⁾	48 ⁽³⁾
HWAM 3650	10	40	90	-	×	35 ⁽³⁾	63 ⁽³⁾
HWAM 3660	10	40	90	-	×	20 ⁽³⁾	48 ⁽³⁾
HWAM 4510	10	59	120	28.5 ⁽⁶⁾	× ⁽⁹⁾	33	57
HWAM 4520	10	35	110	28.5 ⁽⁶⁾	× ⁽⁹⁾	7	31
HWAM 4530	10	59	120	-	×	33	57
HWAM 4540	10	35	110	-	×	7	31
HWAM 4540, stone cover	10	40	110	-	×	7	31
HWAM 4550	10	59	120	-	×	33	57
HWAM 4560	10	35	110	-	×	7	31
HWAM 4560, stone cover	10	40	110	-	×	7	31
HWAM 4620	7 ⁽⁵⁾ /20	40 ⁽⁵⁾ /35	130	-	×	12 ⁽⁵⁾ /12	41
HWAM 4640	7 ⁽⁵⁾ /20	40 ⁽⁵⁾ /35	130	-	×	12 ⁽⁵⁾ /12	41
HWAM 4640, stone cover	7 ⁽⁵⁾ /20	45 ⁽⁵⁾ /45	140	-	×	15 ⁽⁵⁾ /15	44
HWAM 4660	7 ⁽⁵⁾ /20	40 ⁽⁵⁾ /35	130	-	×	12 ⁽⁵⁾ /12	41
HWAM 4660, stone cover	7 ⁽⁵⁾ /20	45 ⁽⁵⁾ /45	140	-	×	15 ⁽⁵⁾ /15	44
HWAM 7150	5	31	80	-	×	5	33
HWAM Classic 4	10	25	80	-	×	10 ⁽³⁾	39 ⁽³⁾
HWAM Classic 7H	10	25	80	-	×	15 ⁽³⁾	43 ⁽³⁾
HWAM I 30/55/HWAM I 30/55s	12/6/15 ⁽¹⁾	8 ⁽¹⁾	80	30	-	-	-
HWAM I 30/65	4/4/14 ⁽¹⁾	4 ⁽²⁾	80	30	-	-	-
HWAM I 40/55	188 ⁽⁷⁾	5 ⁽⁷⁾	120	35	-	-	-



⁽¹⁾ Thickness of insulation, behind/under/over. ⁽²⁾ Thickness of insulation. ⁽³⁾ **Important!** All dimensions in connection with corner installation are only recommendations. Contact your HETAS Engineer for a clarification.

⁽⁴⁾ This distance requirement is met when the stove is mounted on a plinth. ⁽⁵⁾ With semi-insulated flue pipe (min. thickness of insulation: 35 mm). ⁽⁶⁾ This distance requirement is met when the stove is mounted on a high plinth.

⁽⁷⁾ Distance to non combustible insulation against combustible wall. ⁽⁸⁾ Can be installed on a 12 mm hearth, when mounted on a 3 cm plinth. ⁽⁹⁾ Can be installed on a 12 mm hearth when mounted on low plinth.

Approvals & registrations



	EN 13229 (Europa)	EN 13240 (Europa)	Art. 15a (Austria)	NS 3058/3059 (Norway)	Brændeovnsbekendtgørelsen 2018 (Denmark)	LRV (Switzerland)	BImSchV Stufe 2 (Germany)	RLU zugelassen (Germany)	DEFRA exempt (UK)	HETAS (UK)	Flamme Verte (France)
HWAM 2610		x	x ⁽¹⁾	x	x	x	x		x	x	x
HWAM 2620		x	x ⁽¹⁾	x	x	x	x		x	x	x
HWAM 2630		x	x ⁽¹⁾	x	x	x	x	x	x	x	x
HWAM 2640		x	x ⁽¹⁾	x	x	x	x	x	x	x	x
HWAM 3110		x		x	x	x	x		x	x	x
HWAM 3120		x	x ⁽¹⁾	x	x	x	x	x	x	x	x
HWAM 3130		x	x ⁽¹⁾	x	x	x	x	x		x	x
HWAM 3520		x	x ⁽¹⁾	x	x	x	x	x	x	x	x
HWAM 3530		x	x ⁽¹⁾	x	x	x	x	x	x	x	x
HWAM 3630		x	x ⁽¹⁾	x	x	x	x	x	x	x	x
HWAM 3640		x	x ⁽¹⁾	x	x	x	x	x	x	x	x
HWAM 3650		x	x ⁽¹⁾	x	x	x	x	x	x	x ⁽¹⁾	x
HWAM 3660		x	x ⁽¹⁾	x	x	x	x	x	x	x ⁽¹⁾	
HWAM 4510		x	x	x	x	x	x	x	x	x	
HWAM 4520		x	x	x	x	x	x	x	x	x	
HWAM 4530		x	x	x	x	x	x	x	x	x	
HWAM 4540		x	x	x	x	x	x	x	x	x	x
HWAM 4550		x	x	x	x	x	x	x	x	x	
HWAM 4560		x	x	x	x	x	x	x	x	x	x
HWAM 4620		x	x	x	x	x	x	x	x	x ⁽¹⁾	x
HWAM 4640		x	x	x	x	x	x	x	x	x ⁽¹⁾	x
HWAM 4660		x	x	x	x	x	x	x	x	x ⁽¹⁾	x
HWAM 7150		x	x	x	x	x	x	x			x
HWAM Classic 4		x				x	x				x
HWAM Classic 7H		x				x	x				
HWAM I 30/55 - HWAM I 30/55s	x			x	x	x	x		x	x	x
HWAM I 30/65	x				x	x				x	x
HWAM I 40/55	x		x	x	x	x	x	x	x	x ⁽²⁾	x ⁽²⁾

⁽¹⁾ Applies only to models with HWAM® SmartControl™. ⁽²⁾ Pending registration

NB! The table shows the status at the time of the catalogue's publication.

The current status can be obtained at any time from your HWAM dealer and can be checked on www.hwam.com.

Test results

	EN 13240/13229					Art. 15a		NS 3058 NS 3059
	CO at 13% O ₂	CO at 13% O ₂	Particle emission at 13% O ₂	Flue gas temperature measured in the outlet socket	Flue gas mass flow	Particle emission	CO	Particle emission
	%	mg/m ³ _n	mg/m ³ _n	°C	g/s	mg/MJ	mg/MJ	g/kg
HWAM 2610, Autopilot™	0.10	1250	22	366	3.72	-	-	3.42
HWAM 2610, SmartControl™	0.08	1000	16	372	3.55	10	654	2.20
HWAM 2620, Autopilot™	0.10	1250	22	366	3.72	-	-	3.42
HWAM 2620, SmartControl™	0.08	1000	16	372	3.55	10	654	2.20
HWAM 2630, Autopilot™	0.10	1250	22	366	3.72	-	-	3.42
HWAM 2630, SmartControl™	0.08	1000	16	372	3.55	10	654	2.20
HWAM 2640, Autopilot™	0.10	1250	22	366	3.72	-	-	3.42
HWAM 2640, SmartControl™	0.08	1000	16	372	3.55	10	654	2.20
HWAM 3110, Autopilot™	0.07	875	22	300	5.10	-	-	2.05
HWAM 3120, Autopilot™	0.07	875	22	300	5.10	-	-	2.05
HWAM 3120, SmartControl™	0.08	1000	20	307	3.66	13	630	2.45
HWAM 3130, Autopilot™	0.07	875	22	300	5.10	-	-	2.05
HWAM 3130, SmartControl™	0.08	1000	20	307	3.66	13	630	2.45
HWAM 3520, Autopilot™	0.07	875	22	300	5.10	-	-	2.05
HWAM 3520, SmartControl™	0.08	1000	20	307	3.66	13	630	2.45
HWAM 3530, Autopilot™	0.07	875	22	300	5.10	-	-	2.05
HWAM 3530, SmartControl™	0.08	1000	20	307	3.66	13	630	2.45
HWAM 3630, Autopilot™	0.09	1125	18	350	6.00	-	-	1.21
HWAM 3630, SmartControl™	0.10	1250	21	325	5.04	13	756	1.78
HWAM 3640, Autopilot™	0.09	1125	18	350	6.00	-	-	1.21
HWAM 3640, SmartControl™	0.10	1250	21	325	5.04	13	756	1.78
HWAM 3650, Autopilot™	0.09	1125	18	350	6.00	-	-	1.21
HWAM 3650, SmartControl™	0.10	1250	21	325	5.04	13	756	1.78
HWAM 3660, Autopilot™	0.09	1125	18	350	6.00	-	-	1.21
HWAM 3660, SmartControl™	0.10	1250	21	325	5.04	13	756	1.78

NB! Due to the constant improvements of our products the valid values may vary from the above mentioned. Updated values are available at your local HWAM retailer and can be seen on www.hwam.com.



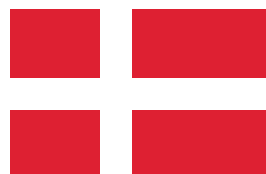
Test results

	EN 13240/13229					Art. 15a		NS 3058 NS 3059
	CO at 13% O ₂	CO at 13% O ₂	Particle emission at 13% O ₂	Flue gas temperature measured in the outlet socket	Flue gas mass flow	Particle emission	CO	Particle emission
	%	mg/m ³ _n	mg/m ³ _n	°C	g/s	mg/MJ	mg/MJ	g/kg
HWAM 4510, Autopilot™	0.08	1000	24	312	4.1	18	752	3.01
HWAM 4510, SmartControl™	0.06	750	19	324	4.0	15	586	2.16
HWAM 4520, Autopilot™	0.08	1000	24	312	4.1	18	752	3.01
HWAM 4520, SmartControl™	0.06	750	19	324	4.0	15	586	2.16
HWAM 4530, Autopilot™	0.08	1000	24	312	4.1	18	752	3.01
HWAM 4530, SmartControl™	0.06	750	19	324	4.0	15	586	2.16
HWAM 4540, Autopilot™	0.08	1000	24	312	4.1	18	752	3.01
HWAM 4540, SmartControl™	0.06	750	19	324	4.0	15	586	2.16
HWAM 4550, Autopilot™	0.08	1000	24	312	4.1	18	752	3.01
HWAM 4550, SmartControl™	0.06	750	19	324	4.0	15	586	2.16
HWAM 4560, Autopilot™	0.08	1000	24	312	4.1	18	752	3.01
HWAM 4560, SmartControl™	0.06	750	19	324	4.0	15	586	2.16
HWAM 4620, Autopilot™	0.08	1000	28	320	5.9	19	659	1.74
HWAM 4640, Autopilot™	0.08	1000	28	320	5.9	19	659	1.74
HWAM 4640, SmartControl™	0.06	750	29	334	6.6	19	515	1.88
HWAM 4660, Autopilot™	0.08	1000	28	320	5.9	19	659	1.74
HWAM 4660, SmartControl™	0.06	750	29	334	6.6	19	515	1.88
HWAM 7150, Autopilot™	0.06	750	19	282	4.04	13	457	2.05
HWAM 7150, SmartControl™	0.07	875	19	276	4.27	14	546	2.45
HWAM Classic 4	0.10	1250	36	255	9.90	-	-	-
HWAM Classic 7H	0.09	1125	39	260	13.20	-	-	-
HWAM I 30/55 - HWAM I 30/55s	0.09	1125	26	296	5.51	-	-	3.31
HWAM I 30/65	0.12	1500	28	350	9.07	-	-	-
HWAM I 40/55	0.06	758	16	326	5.5	11	383	2.65

NB! Due to the constant improvements of our products the valid values may vary from the above mentioned. Updated values are available at your local HWAM retailer and can be seen on www.hwam.com.

Notes

Lined area for writing notes.



MADE IN
DENMARK